

PARTS MANUAL

00. MAINTENANCE FILTERS KIT



FIGURE	REFERENCE	DENOMINATION	AMOUNT
001	KF.66010RE00	FILTERS KIT D601AHG STAGE V	1
001.1	DI01174416	SPIN-ON OIL FILTER	1
001.2	DI04131596	FUEL FILTER CARTRIDGE	1
001.3	DI04130241	FUEL FILTER	1
001.4	45.01526.00	PREFILTER FUEL/HYDRAULIC	1
001.5	60.20100.00	FILTER ELEMENT	1
001.6	46.10047.00	OIL FILTER 180 L	1
001.7	46.02311.00	MAIN FILTER ELEMENT	1
001.8	46.02312.00	SECURITY FILTER ELEMENT	1
002	KM.66010RE00	MAINTENANCE SET 1000H D601AHG STAGE V	1

02. ENGINE

DEUTZ ENGINE

- ① MOTOR DIESEL DEUTZ TD 3.6 L4 STAGE V /
DIESEL ENGINE DEUTZ TD 3.6 L4 STAGE V

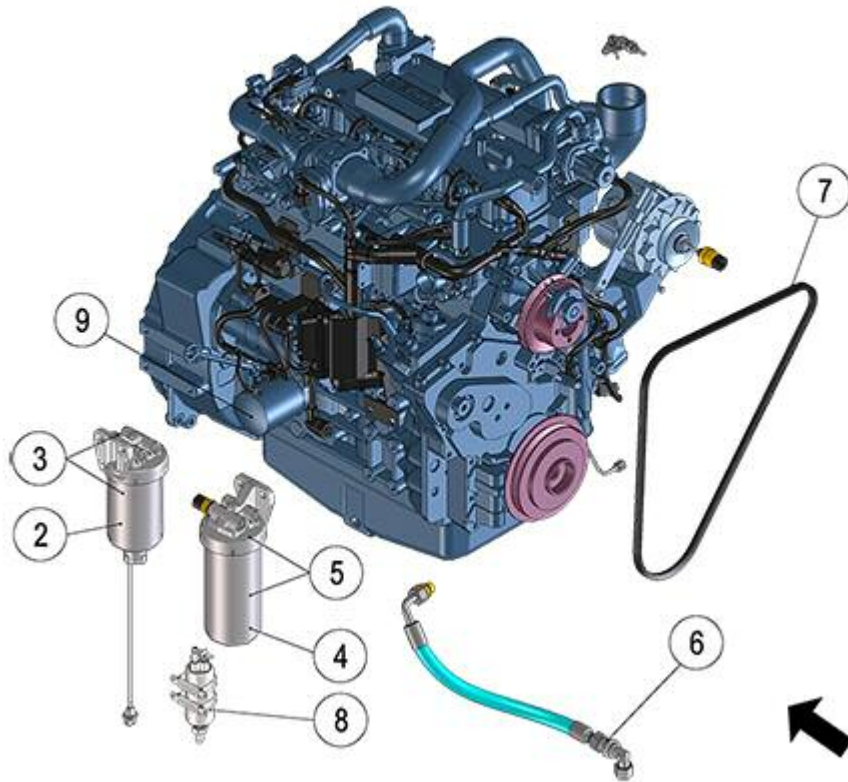


FIGURE	REFERENCE	DENOMINATION	AMOUNT
001	66.02104.00	DEUTZ TD 3.6 L4 STAGE V ENGINE	1
001	66.02104.00	DEUTZ TD 3.6 L4 STAGE V ENGINE	1
002	DI04130241	FUEL FILTER	1
003	66.02015.00	FUEL PRE-FILTER	1
003	66.02015.00	FUEL PRE-FILTER	1
004	DI04131596	FUEL FILTER CARTRIDGE	1
005	66.02013.00	FUEL FILTER	1
005	66.02013.00	FUEL FILTER	1
006	66.02017.00	PIPE SET	1
006	66.02017.00	PIPE SET	1
007	DI04123559	V-BELT	1
008	64.02014.00	ELECTRIC FUEL PUMP DEUTZ	1
008	64.02014.00	ELECTRIC FUEL PUMP DEUTZ	1

02. ENGINE

EXHAUST PIPE

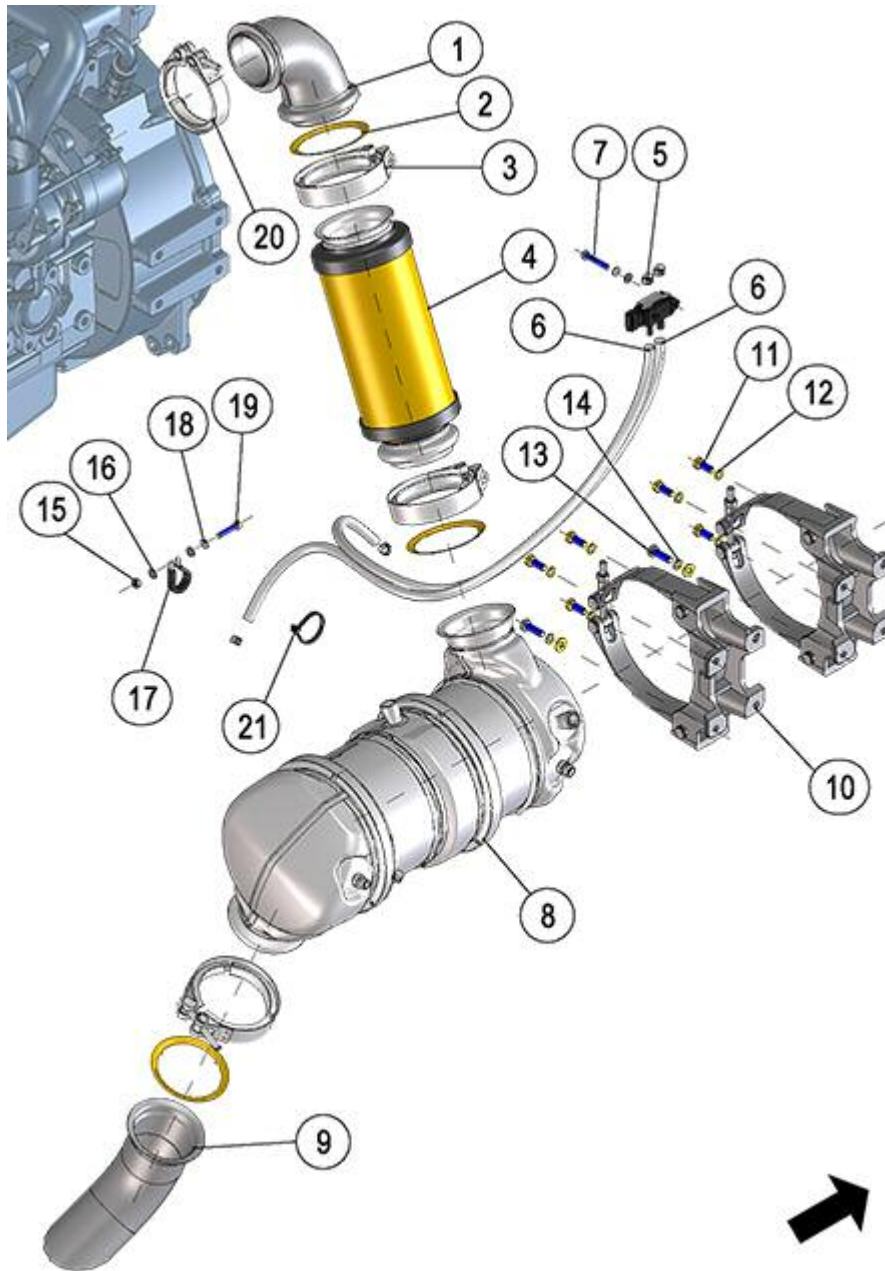


FIGURE	REFERENCE	DENOMINATION	AMOUNT
001	64.02033.00	EXHAUST PIPE C90 DEUTZ TD 3.6	1
001	64.02033.00	EXHAUST PIPE C90 DEUTZ TD 3.6	1
002	64.02035.00	EXHAUST MOTOR JOINT DEUTZ TD 3.6 L4	3
002	64.02035.00	EXHAUST MOTOR JOINT DEUTZ TD 3.6 L4	3
003	64.02034.00	EXHAUST CLAMP DEUTZ TD 3.6 L4	3
003	64.02034.00	EXHAUST CLAMP DEUTZ TD 3.6 L4	3
004	64.02032.00	EXHAUST PIPE DEUTZ TD 3.6	1
004	64.02032.00	EXHAUST PIPE DEUTZ TD 3.6	1
005	948.01208.00	FLANGE	4
005	948.01208.00	FLANGE	4

006	485.06012.00	SILICONE TUBE D6XD12	1
006	485.06012.00	SILICONE TUBE D6XD12	1
007	603.06035.86	SCREW DIN933 M6x35	1
007	603.06035.86	SCREW DIN933 M6x35	1
008	66.02016.00	FILTER DPF	1
008	66.02016.00	FILTER DPF	1
009	66.02200.00	EXHAUST PIPE	1
009	66.02200.00	EXHAUST PIPE	1
010	64.02031.00	SUPPORT DOC DEUTZ TD 3.6	2
010	64.02031.00	SUPPORT DOC DEUTZ TD 3.6	2
011	603.08020.86	SCREW DIN933 M8x20	6
011	603.08020.86	SCREW DIN933 M8x20	6
012	104.08000.00	WASHER DIN7980 D8	8
012	104.08000.00	WASHER DIN7980 D8	8
013	603.08025.86	SCREW DIN933 M8x25	2
013	603.08025.86	SCREW DIN933 M8x25	2
014	101.08000.66	WASHER DIN125 D8	2
014	101.08000.66	WASHER DIN125 D8	2
015	701.06000.66	NUT DIN934 M6X1	1
015	701.06000.66	NUT DIN934 M6X1	1
016	101.06000.66	WASHER DIN125 D6	7
016	101.06000.66	WASHER DIN125 D6	7
017	830.02206.00	CLAMP LOOP	4
017	830.02206.00	CLAMP LOOP	4
018	104.06000.00	WASHER DIN7980 D6	5
018	104.06000.00	WASHER DIN7980 D6	5

02. ENGINE

EXHAUST PIPE

FIGURE	REFERENCE	DENOMINATION	AMOUNT
019	603.06030.86	SCREW DIN933 M6x30	4
019	603.06030.86	SCREW DIN933 M6x30	4
020	64.02036.00	SKIP JOINT ESC. DEUTZ TD	1
020	64.02036.00	SKIP JOINT ESC. DEUTZ TD	1
021	931.05370.00	CLAMP TAPE 5x370	2
021	931.05370.00	CLAMP TAPE 5x370	2

02. ENGINE INLET



FIGURE	REFERENCE	DENOMINATION	AMOUNT
001	46.02038.00	ENGINE AIR FILTER	1
001	46.02038.00	ENGINE AIR FILTER	1
002	66.02304.00	Admission tube D70xD80	1
002	66.02304.00	Admission tube D70xD80	1
003	64.02324.00	TUBE D70x50x2	1
003	64.02324.00	TUBE D70x50x2	1
004	64.11042.00	INDICATOR FILTER AIR 50 mbar	1
004	64.11042.00	INDICATOR FILTER AIR 50 mbar	1
005	46.02310.00	HOSE CLAMP FILTER	1
005	46.02310.00	HOSE CLAMP FILTER	1
006	66.02303.01	SUPPORT	1
006	66.02303.01	SUPPORT	1
007	912.90110.66	HOSE CLAMP Ø90-110	1
007	912.90110.66	HOSE CLAMP Ø90-110	1
008	912.60080.66	CLAMP	2
008	912.60080.66	CLAMP	2

009	603.08030.86	SCREW DIN933 M8X30	2
009	603.08030.86	SCREW DIN933 M8X30	2
010	101.08000.66	WASHER DIN125 D8	6
010	101.08000.66	WASHER DIN125 D8	6
011	711.08000.66	NUT DIN982 M8	2
011	711.08000.66	NUT DIN982 M8	2
012	603.08035.86	SCREW DIN933	2
012	603.08035.86	SCREW DIN933	2
013	104.08000.00	WASHER DIN7980 D8	2
013	104.08000.00	WASHER DIN7980 D8	2
014	46.02312.00	SECURITY FILTER ELEMENT	1
015	46.02311.00	MAIN FILTER ELEMENT	1

02. ENGINE DELIVERY

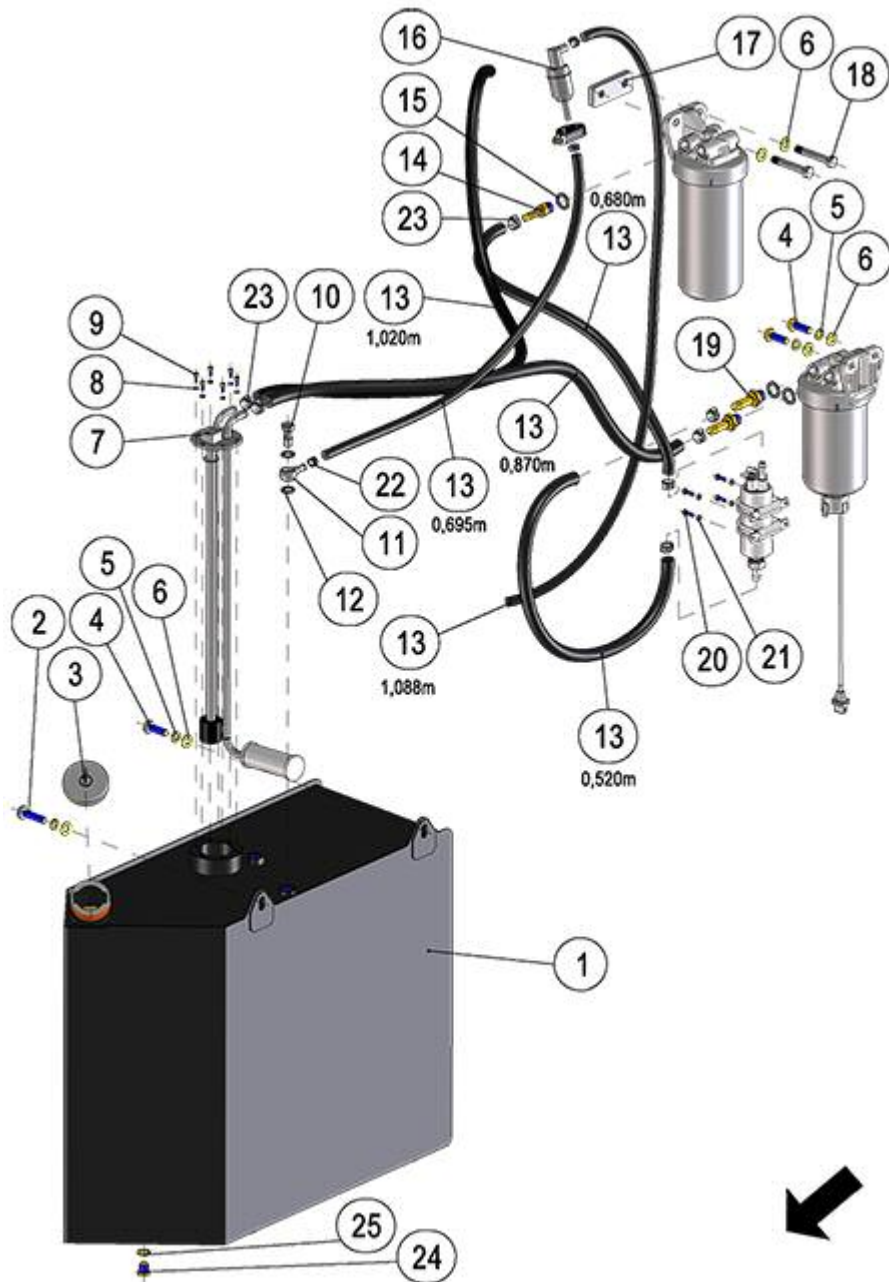


FIGURE	REFERENCE	DENOMINATION	AMOUNT
001	66.02040.00	TANK 69L GASOIL (9005)	1
001	66.02040.00	TANK 69L GASOIL (9005)	1
002	603.10040.86	BOLT DIN933 M10x40	1
002	603.10040.86	BOLT DIN933 M10x40	1
003	15.01524.01	CAP WITH LOCK 40X72	1
003	15.01524.01	CAP WITH LOCK 40X72	1
004	603.10030.86	SCREW DIN933	3
004	603.10030.86	SCREW DIN933	3
005	104.10000.00	WASHER DIN7980 D10	4
005	104.10000.00	WASHER DIN7980 D10	4

006	101.10000.66	WASHER DIN125 D10	6
006	101.10000.66	WASHER DIN125 D10	6
007	30.02044.00	LEVEL 500MM DIESEL	1
007	30.02044.00	LEVEL 500MM DIESEL	1
008	104.04000.00	WASHER DIN7980 D4	6
008	104.04000.00	WASHER DIN7980 D4	6
009	601.04010.87	SCREW	6
009	601.04010.87	SCREW	6
010	28.00340.00	SIMPLE SCREW FITTING 1/4 Gx26	1
010	28.00340.00	SIMPLE SCREW FITTING 1/4 Gx26	1
011	45.04106.00	NIPPLE O/TB	1
011	45.04106.00	NIPPLE O/TB	1
012	28.00341.00	METALLIC GASKET BUNA D1/4	2
012	28.00341.00	METALLIC GASKET BUNA D1/4	2
013	469.01017.00	TUBE MAT.	1
013	469.01017.00	TUBE MAT.	1
014	64.10130.00	TANG FITTING M16x1.5-DN10	1
014	64.10130.00	TANG FITTING M16x1.5-DN10	1
015	20.10505.00	BUNA METAL SEAL M16	3
015	20.10505.00	BUNA METAL SEAL M16	3
016	45.01526.00	PREFILTER FUEL/HYDRAULIC	1
016	45.01526.00	PREFILTER FUEL/HYDRAULIC	1
017	66.02401.00	SUPPORT GASOIL DEUTZ (7022)	1
017	66.02401.00	SUPPORT GASOIL DEUTZ (7022)	1
018	604.10055.86	BOLT DIN931 M10x55	2
018	604.10055.86	BOLT DIN931 M10x55	2

02. ENGINE DELIVERY

FIGURE	REFERENCE	DENOMINATION	AMOUNT
019	66.10130.00	FITTING M16x1.5 -DN13	2
019	66.10130.00	FITTING M16x1.5 -DN13	2
020	603.05015.86	SCREW DIN933	4
020	603.05015.86	SCREW DIN933	4
021	104.05000.00	WASHER DIN7980 D5	4
021	104.05000.00	WASHER DIN7980 D5	4
022	948.01408.00	CLAMP Ø14	3
022	948.01408.00	CLAMP Ø14	3
023	948.01708.00	FLANGE D17	7
023	948.01708.00	FLANGE D17	7
024	10.00921.00	CAP M14X150 DIN908	1

025

107.14000.10

WASHER AL 14x20x1.5

1

02. ENGINE

DELIVERY

CHASSIS: 89273

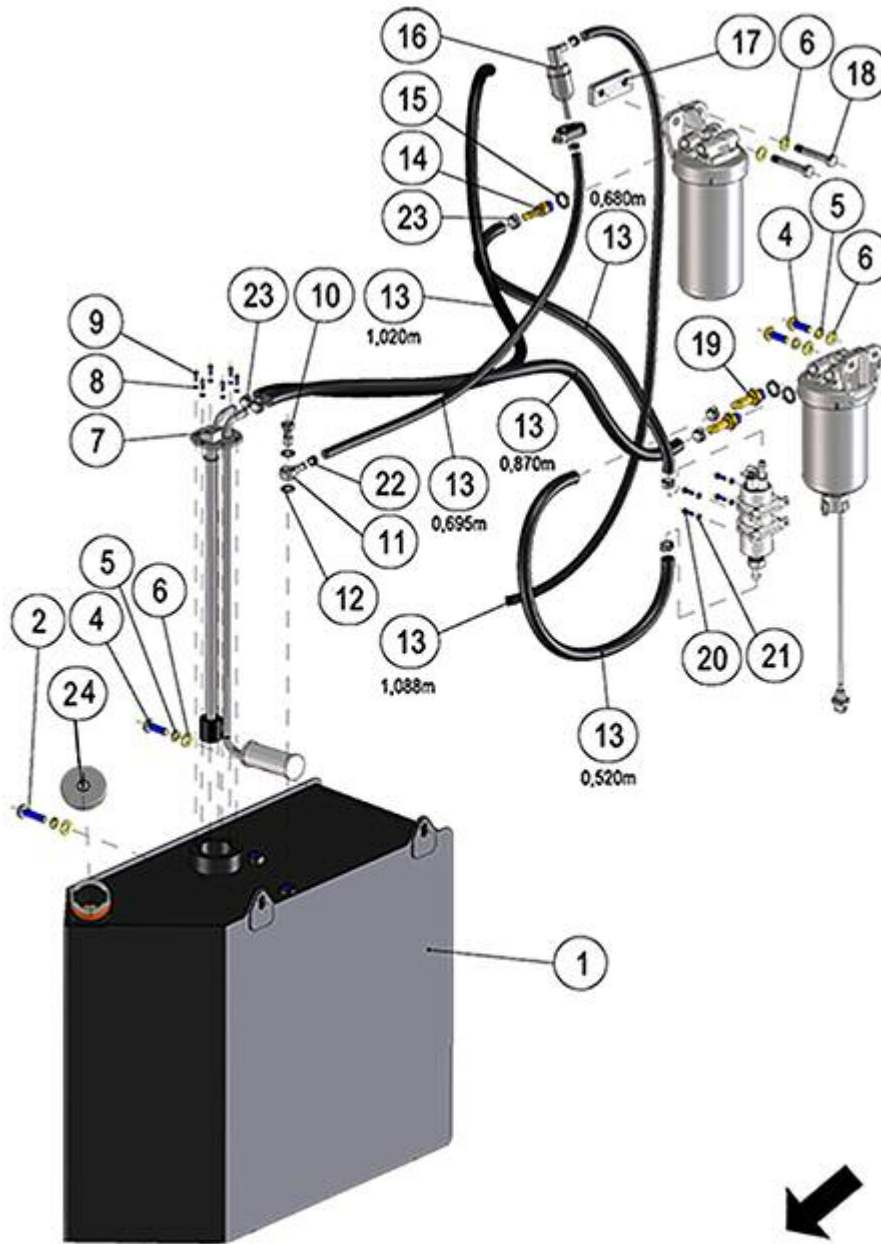


FIGURE	REFERENCE	DENOMINATION	AMOUNT
001	66.02400.00	FUEL TANK	1
002	603.10040.86	BOLT DIN933 M10x40	1
002	603.10040.86	BOLT DIN933 M10x40	1
004	603.10030.86	SCREW DIN933	3
004	603.10030.86	SCREW DIN933	3
005	104.10000.00	WASHER DIN7980 D10	4
005	104.10000.00	WASHER DIN7980 D10	4
006	101.10000.66	WASHER DIN125 D10	6
006	101.10000.66	WASHER DIN125 D10	6

007	30.02044.00	LEVEL 500MM DIESEL	1
007	30.02044.00	LEVEL 500MM DIESEL	1
008	104.04000.00	WASHER DIN7980 D4	6
008	104.04000.00	WASHER DIN7980 D4	6
009	601.04010.87	SCREW	6
009	601.04010.87	SCREW	6
010	28.00340.00	SIMPLE SCREW FITTING 1/4 Gx26	1
010	28.00340.00	SIMPLE SCREW FITTING 1/4 Gx26	1
011	45.04106.00	NIPPLE O/TB	1
011	45.04106.00	NIPPLE O/TB	1
012	28.00341.00	METALLIC GASKET BUNA D1/4	2
012	28.00341.00	METALLIC GASKET BUNA D1/4	2
013	469.01017.00	TUBE MAT.	1
013	469.01017.00	TUBE MAT.	1
014	64.10130.00	TANG FITTING M16x1.5-DN10	1
014	64.10130.00	TANG FITTING M16x1.5-DN10	1
015	20.10505.00	BUNA METAL SEAL M16	3
015	20.10505.00	BUNA METAL SEAL M16	3
016	45.01526.00	PREFILTER FUEL/HYDRAULIC	1
016	45.01526.00	PREFILTER FUEL/HYDRAULIC	1
017	66.02401.00	SUPPORT GASOIL DEUTZ (7022)	1
017	66.02401.00	SUPPORT GASOIL DEUTZ (7022)	1
018	604.10055.86	BOLT DIN931 M10x55	2
018	604.10055.86	BOLT DIN931 M10x55	2
019	66.10130.00	FITTING M16x1.5 -DN13	2
019	66.10130.00	FITTING M16x1.5 -DN13	2
020	603.05015.86	SCREW DIN933	4

02. ENGINE

DELIVERY

CHASSIS: 89273

FIGURE	REFERENCE	DENOMINATION	AMOUNT
020	603.05015.86	SCREW DIN933	4
021	104.05000.00	WASHER DIN7980 D5	4
021	104.05000.00	WASHER DIN7980 D5	4
022	948.01408.00	CLAMP Ø14	3
022	948.01408.00	CLAMP Ø14	3
023	948.01708.00	FLANGE D17	7
023	948.01708.00	FLANGE D17	7
024	15.01524.01	CAP WITH LOCK 40X72	1

COMMENTS

PM.00116

02. ENGINE RADIATOR

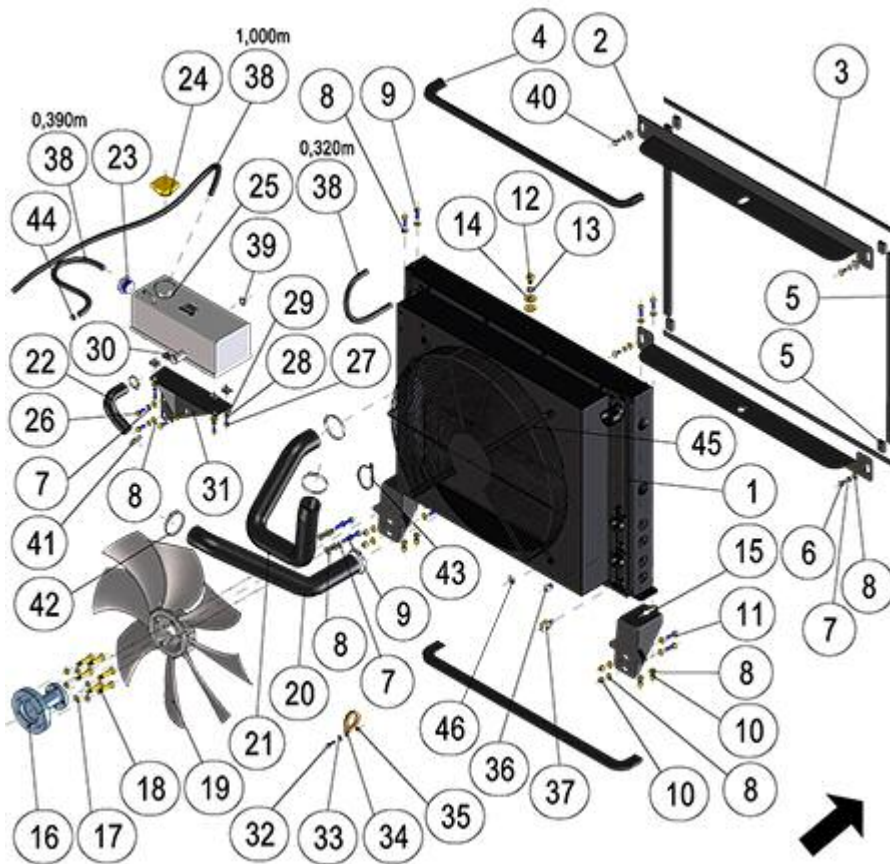


FIGURE	REFERENCE	DENOMINATION	AMOUNT
001	66.02501.00	RADIATOR	1
001	66.02501.00	RADIATOR	1
002	66.02507.00	SUPPORT	2
002	66.02507.00	SUPPORT	2
003	472.02015.00	RUBBER PROFILE MAT.	1
003	472.02015.00	RUBBER PROFILE MAT.	1
004	472.00410.00	RUBBER PROFILE 22X22	1
004	472.00410.00	RUBBER PROFILE 22X22	1
005	477.10020.00	RUBBER PROFILE MAT.	1
005	477.10020.00	RUBBER PROFILE MAT.	1
006	603.08015.86	SCREW DIN933 M8x15	4
006	603.08015.86	SCREW DIN933 M8x15	4
007	104.08000.00	WASHER DIN7980 D8	11
007	104.08000.00	WASHER DIN7980 D8	11
008	101.08000.66	WASHER DIN125 D8	25
008	101.08000.66	WASHER DIN125 D8	25
009	603.08025.86	SCREW DIN933 M8x25	8
009	603.08025.86	SCREW DIN933 M8x25	8

010	711.08000.66	NUT DIN982 M8	8
010	711.08000.66	NUT DIN982 M8	8
011	603.08030.86	SCREW DIN933 M8X30	4
011	603.08030.86	SCREW DIN933 M8X30	4
012	603.10015.86	SCREW DIN933	1
012	603.10015.86	SCREW DIN933	1
013	101.10000.66	WASHER DIN125 D10	1
013	101.10000.66	WASHER DIN125 D10	1
014	112.10000.66	WASHER DIN9021 D10	2
014	112.10000.66	WASHER DIN9021 D10	2
015	66.02505.00	FIXING SUPPORT	2
015	66.02505.00	FIXING SUPPORT	2
016	66.02503.00	FAN SUPPORT	1
016	66.02503.00	FAN SUPPORT	1
017	104.10000.00	WASHER DIN7980 D10	6
017	104.10000.00	WASHER DIN7980 D10	6
018	604.10045.86	SCREW DIN931	6
018	604.10045.86	SCREW DIN931	6

02. ENGINE RADIATOR

FIGURE	REFERENCE	DENOMINATION	AMOUNT
019	66.02511.00	FAN D530 8P SOPL 35°	1
019	66.02511.00	FAN D530 8P SOPL 35°	1
020	66.02522.00	TUBE ENG. RAD. D52/42	1
020	66.02522.00	TUBE ENG. RAD. D52/42	1
021	66.02523.00	TUBE RAD. ENG. D52/42	1
021	66.02523.00	TUBE RAD. ENG. D52/42	1
022	66.02525.00	RUBBER TUBE D22	1
022	66.02525.00	RUBBER TUBE D22	1
023	30.10041.00	LEVEL VISUAL INDICATOR 1	1
023	30.10041.00	LEVEL VISUAL INDICATOR 1	1
024	32.02151.00	REFRIGERANT CAP 1BAR	1
024	32.02151.00	REFRIGERANT CAP 1BAR	1
025	66.02530.00	EXPANSION TANK	1
025	66.02530.00	EXPANSION TANK	1
026	603.08020.86	SCREW DIN933 M8x20	3
026	603.08020.86	SCREW DIN933 M8x20	3
027	603.06015.86	SCREW DIN933 M6x15	4
027	603.06015.86	SCREW DIN933 M6x15	4
028	104.06000.00	WASHER DIN7980 D6	4

028	104.06000.00	WASHER DIN7980 D6	4
029	112.06000.66	WASHER DIN9021 D6	4
029	112.06000.66	WASHER DIN9021 D6	4
030	727.06004.86	CAGED NUT M6x4	4
030	727.06004.86	CAGED NUT M6x4	4
031	66.02506.00	SUPPORT FIXATION EXPANSION VESSEL	1
031	66.02506.00	SUPPORT FIXATION EXPANSION VESSEL	1
032	603.06020.86	SCREW DIN933 M6x20	1
032	603.06020.86	SCREW DIN933 M6x20	1
033	101.06000.66	WASHER DIN125 D6	1
033	101.06000.66	WASHER DIN125 D6	1
034	830.04006.00	CLAMP LOOP D40x6	1
034	830.04006.00	CLAMP LOOP D40x6	1
035	711.06000.66	NUT DIN982 M6	1
035	711.06000.66	NUT DIN982 M6	1
036	66.10710.00	STOPPER M12X150 HEXAGON	1
036	66.10710.00	STOPPER M12X150 HEXAGON	1

02. ENGINE RADIATOR

FIGURE	REFERENCE	DENOMINATION	AMOUNT
037	48.11015.00	TEMPERATURE SENSOR (HYDRAULIC OIL)	1
037	48.11015.00	TEMPERATURE SENSOR (HYDRAULIC OIL)	1
038	469.03014.00	HOSE L/P MAT. 8x14	1
038	469.03014.00	HOSE L/P MAT. 8x14	1
039	107.14000.10	WASHER AL 14x20x1.5	1
039	107.14000.10	WASHER AL 14x20x1.5	1
040	112.08000.66	WASHER DIN9021 D8	2
040	112.08000.66	WASHER DIN9021 D8	2
041	912.20032.00	CLAMP	2
041	912.20032.00	CLAMP	2
042	912.40060.66	CLAMP D40-60	4
042	912.40060.66	CLAMP D40-60	4
043	931.05370.00	CLAMP TAPE 5x370	1
043	931.05370.00	CLAMP TAPE 5x370	1
044	948.01308.00	SPRING CLAMP Ø13	5
044	948.01308.00	SPRING CLAMP Ø13	5
045	66.02515.00	GRILLE RADIATOR	1
046	66.02514.00	BUSH	4

02. ENGINE

RADIATOR

CHASSIS: 90320

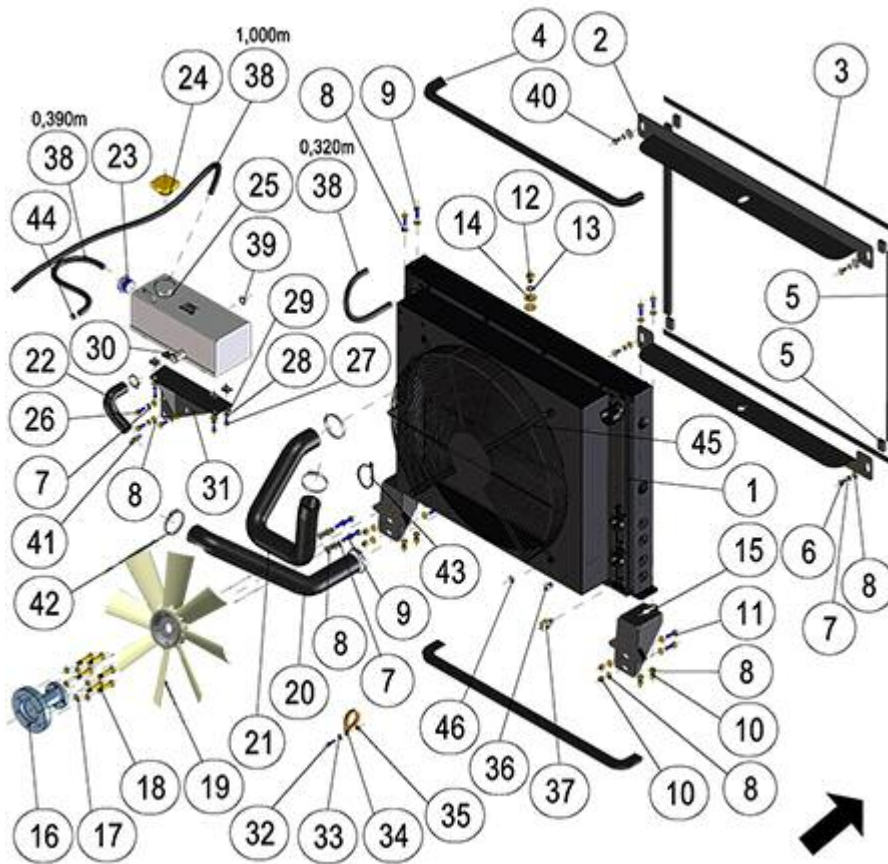


FIGURE	REFERENCE	DENOMINATION	AMOUNT
001	66.02501.00	RADIATOR	1
001	66.02501.00	RADIATOR	1
002	66.02507.00	SUPPORT	2
002	66.02507.00	SUPPORT	2
003	472.02015.00	RUBBER PROFILE MAT.	1
003	472.02015.00	RUBBER PROFILE MAT.	1
004	472.00410.00	RUBBER PROFILE 22X22	1
004	472.00410.00	RUBBER PROFILE 22X22	1
005	477.10020.00	RUBBER PROFILE MAT.	1
005	477.10020.00	RUBBER PROFILE MAT.	1
006	603.08015.86	SCREW DIN933 M8x15	4
006	603.08015.86	SCREW DIN933 M8x15	4
007	104.08000.00	WASHER DIN7980 D8	11
007	104.08000.00	WASHER DIN7980 D8	11
008	101.08000.66	WASHER DIN125 D8	25
008	101.08000.66	WASHER DIN125 D8	25
009	603.08025.86	SCREW DIN933 M8x25	8
009	603.08025.86	SCREW DIN933 M8x25	8

010	711.08000.66	NUT DIN982 M8	8
010	711.08000.66	NUT DIN982 M8	8
011	603.08030.86	SCREW DIN933 M8X30	4
011	603.08030.86	SCREW DIN933 M8X30	4
012	603.10015.86	SCREW DIN933	1
012	603.10015.86	SCREW DIN933	1
013	101.10000.66	WASHER DIN125 D10	1
013	101.10000.66	WASHER DIN125 D10	1
014	112.10000.66	WASHER DIN9021 D10	2
014	112.10000.66	WASHER DIN9021 D10	2
015	66.02505.00	FIXING SUPPORT	2
015	66.02505.00	FIXING SUPPORT	2
016	66.02503.00	FAN SUPPORT	1
016	66.02503.00	FAN SUPPORT	1
017	104.10000.00	WASHER DIN7980 D10	6
017	104.10000.00	WASHER DIN7980 D10	6
018	604.10045.86	SCREW DIN931	6
018	604.10045.86	SCREW DIN931	6

02. ENGINE

RADIATOR

CHASSIS: 90320

FIGURE	REFERENCE	DENOMINATION	AMOUNT
019	66.02518.00	FAN 530/8/35°	1
020	66.02522.00	TUBE ENG. RAD. D52/42	1
020	66.02522.00	TUBE ENG. RAD. D52/42	1
021	66.02523.00	TUBE RAD. ENG. D52/42	1
021	66.02523.00	TUBE RAD. ENG. D52/42	1
022	66.02525.00	RUBBER TUBE D22	1
022	66.02525.00	RUBBER TUBE D22	1
023	30.10041.00	LEVEL VISUAL INDICATOR 1	1
023	30.10041.00	LEVEL VISUAL INDICATOR 1	1
024	32.02151.00	REFRIGERANT CAP 1BAR	1
024	32.02151.00	REFRIGERANT CAP 1BAR	1
025	66.02530.00	EXPANSION TANK	1
025	66.02530.00	EXPANSION TANK	1
026	603.08020.86	SCREW DIN933 M8x20	3
026	603.08020.86	SCREW DIN933 M8x20	3
027	603.06015.86	SCREW DIN933 M6x15	4
027	603.06015.86	SCREW DIN933 M6x15	4
028	104.06000.00	WASHER DIN7980 D6	4
028	104.06000.00	WASHER DIN7980 D6	4

029	112.06000.66	WASHER DIN9021 D6	4
029	112.06000.66	WASHER DIN9021 D6	4
030	727.06004.86	CAGED NUT M6x4	4
030	727.06004.86	CAGED NUT M6x4	4
031	66.02506.00	SUPPORT FIXATION EXPANSION VESSEL	1
031	66.02506.00	SUPPORT FIXATION EXPANSION VESSEL	1
032	603.06020.86	SCREW DIN933 M6x20	1
032	603.06020.86	SCREW DIN933 M6x20	1
033	101.06000.66	WASHER DIN125 D6	1
033	101.06000.66	WASHER DIN125 D6	1
034	830.04006.00	CLAMP LOOP D40x6	1
034	830.04006.00	CLAMP LOOP D40x6	1
035	711.06000.66	NUT DIN982 M6	1
035	711.06000.66	NUT DIN982 M6	1
036	66.10710.00	STOPPER M12X150 HEXAGON	1
036	66.10710.00	STOPPER M12X150 HEXAGON	1
037	48.11015.00	TEMPERATURE SENSOR (HYDRAULIC OIL)	1

02. ENGINE

RADIATOR

CHASSIS: 90320

FIGURE	REFERENCE	DENOMINATION	AMOUNT
037	48.11015.00	TEMPERATURE SENSOR (HYDRAULIC OIL)	1
038	469.03014.00	HOSE L/P MAT. 8x14	1
038	469.03014.00	HOSE L/P MAT. 8x14	1
039	107.14000.10	WASHER AL 14x20x1.5	1
039	107.14000.10	WASHER AL 14x20x1.5	1
040	112.08000.66	WASHER DIN9021 D8	2
040	112.08000.66	WASHER DIN9021 D8	2
041	912.20032.00	CLAMP	2
041	912.20032.00	CLAMP	2
042	912.40060.66	CLAMP D40-60	4
042	912.40060.66	CLAMP D40-60	4
043	931.05370.00	CLAMP TAPE 5x370	1
043	931.05370.00	CLAMP TAPE 5x370	1
044	948.01308.00	SPRING CLAMP Ø13	5
044	948.01308.00	SPRING CLAMP Ø13	5
045	66.02515.00	GRILLE RADIATOR	1
046	66.02514.00	BUSH	4

02. ENGINE SUSPENSION

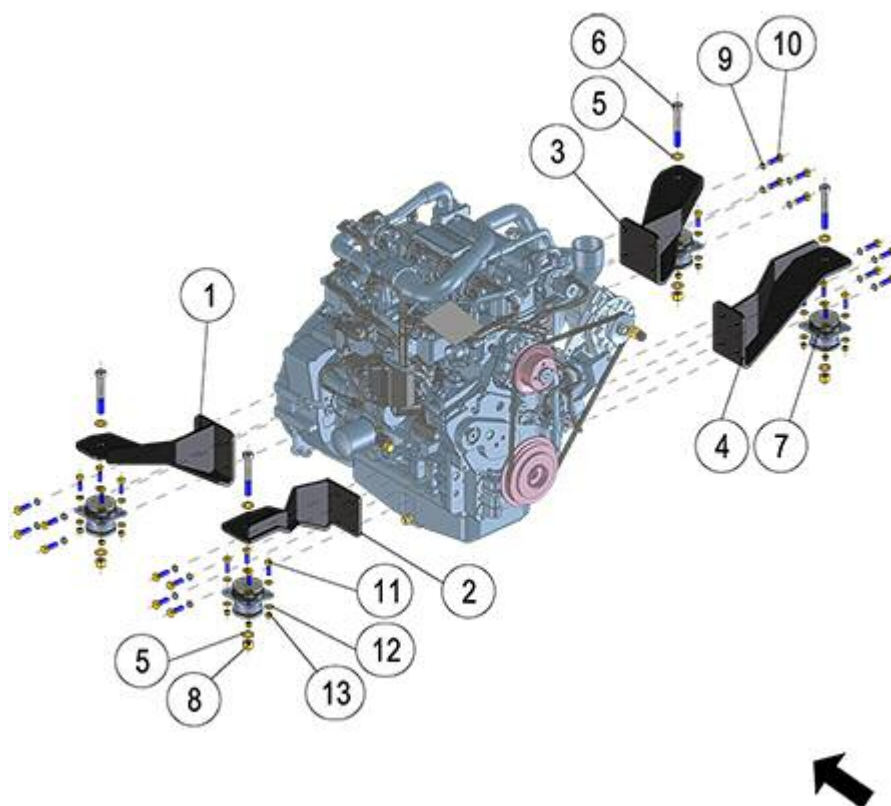


FIGURE	REFERENCE	DENOMINATION	AMOUNT
001	66.02603.00	FRONT LEFT ENGINE SUPPORT	1
002	66.02600.00	LEFT REAR ENGINE SUPPORT	1
003	66.02602.00	RIGHT FRONT MOTOR SUPPORT	1
004	66.02601.00	REAR ENGINE REAR SUPPORT	1
005	101.16000.66	WASHER DIN125 D16	8
006	604.16110.86	SCREW DIN931 M16x110	4
007	66.02605.00	SHOCK ABSORBER	4
008	711.16000.66	NUT DIN982 M16 8.8 K	4
009	104.12000.00	WASHER DIN7980 D12	16
010	603.12035.86	SCREW DIN933	16
011	603.10035.86	SCREW DIN933 M10x35	16
012	101.10000.66	WASHER DIN125 D10	32
013	711.10000.66	SHOCK ABSORBER	16

02. ENGINE

SUSPENSION

CHASSIS: 86477

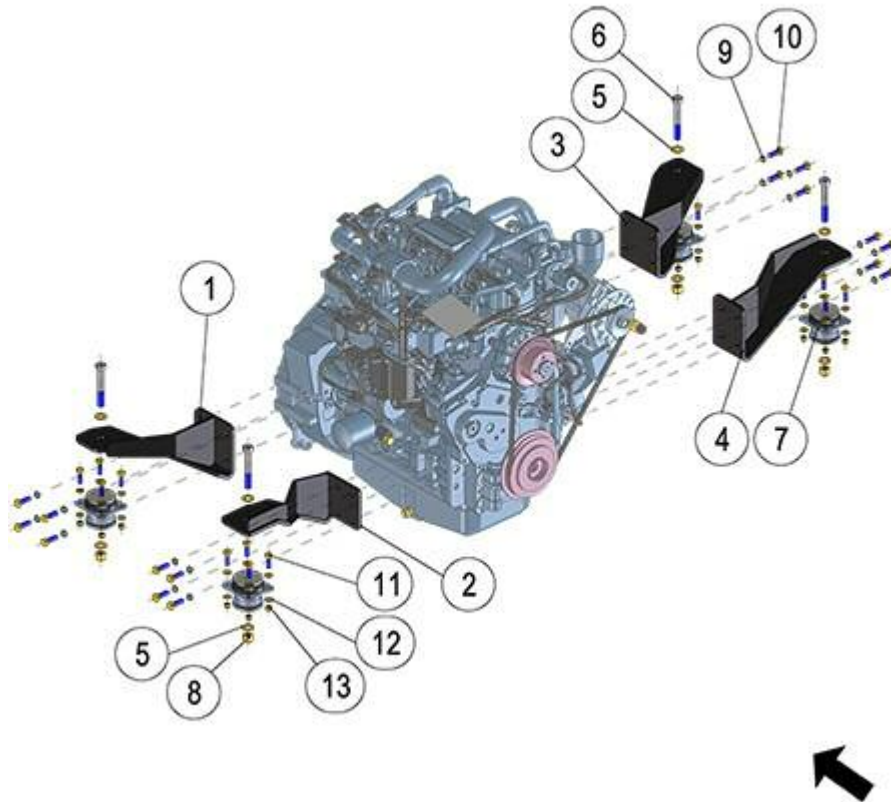


FIGURE	REFERENCE	DENOMINATION	AMOUNT
001	66.02603.00	FRONT LEFT ENGINE SUPPORT	1
002	66.02600.00	LEFT REAR ENGINE SUPPORT	1
003	66.02602.00	RIGHT FRONT MOTOR SUPPORT	1
004	66.02601.00	REAR ENGINE REAR SUPPORT	1
005	101.16000.66	WASHER DIN125 D16	8
006	604.16110.86	SCREW DIN931 M16x110	4
007	66.02604.00	SHOCK ABSORBER	4
008	711.16000.66	NUT DIN982 M16 8.8 K	4
009	104.12000.00	WASHER DIN7980 D12	16
010	603.12035.86	SCREW DIN933	16
011	603.10035.86	SCREW DIN933 M10x35	16
012	101.10000.66	WASHER DIN125 D10	32
013	711.10000.66	SHOCK ABSORBER	16

COMMENTS

CAMBIO DE AMORTIGUADOR: Se tienen que cambiar los 4 a la vez?

03. TRANSMISSION

HYDROSTATIC TRANSMISSION

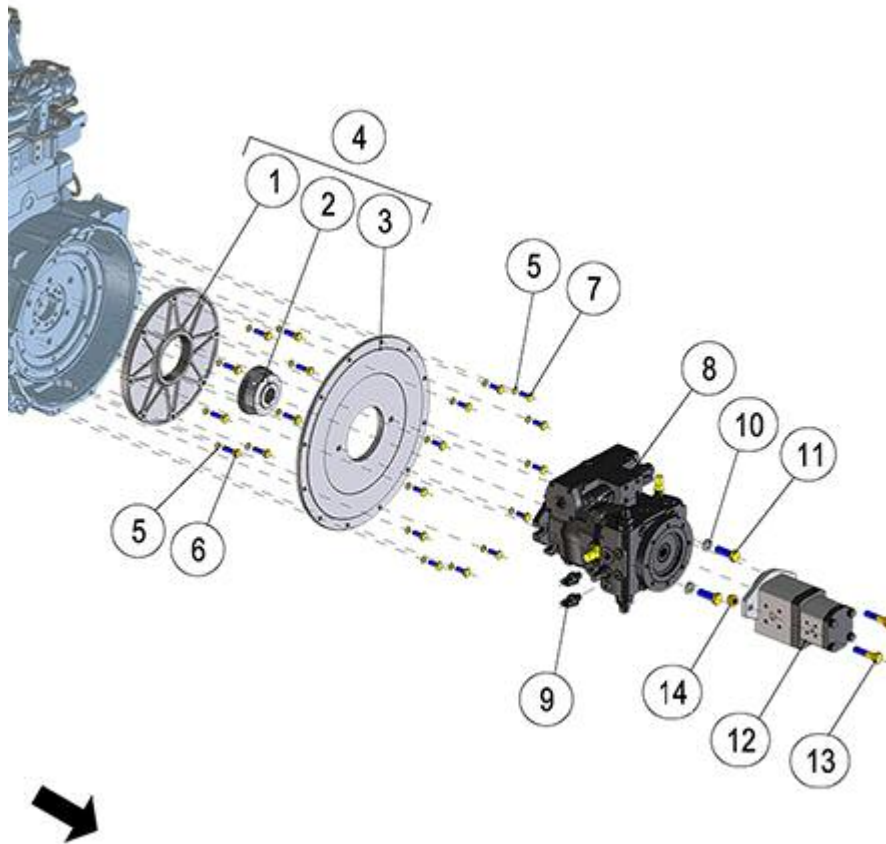


FIGURE	REFERENCE	DENOMINATION	AMOUNT
001	66.03271.00	ACOP CIL/DEN DEUTZ	1
002	66.03272.00	ACOP. DEN/DEN	1
003	66.03273.00	ACOP CIL/CIL	1
004	66.03270.00	CONJ ACOP. A4VG71 TCD3.6	1
005	104.10000.00	WASHER DIN7980 D10	20
006	604.10035.86	SCREW DIN931	8
007	603.10025.86	SCREW DIN933 M10x25	12
008	66.03250.00	HYDRAULIC PUMP 71CC	1
009	66.11122.00	SENSOR PRESSURE BRR PR4	2
010	65.03217.00	WASHER 16x7x26	2
011	603.16045.97	SCREW DIN933	2
012	66.10100.00	DOUBLE HYDR. PUMP 24CC	1
013	604.14060.86	SCREW DIN931	2
014	711.14000.66	NUT DIN982 M14 8.8 K	2

03. TRANSMISSION HYDROSTATIC ENGINE

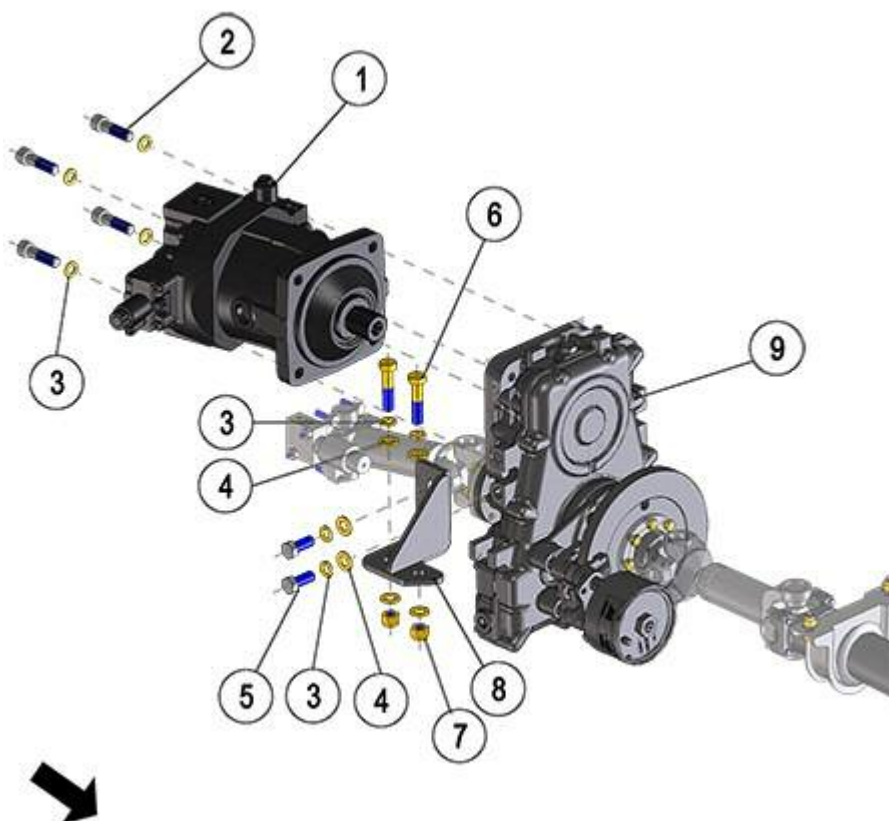


FIGURE	REFERENCE	DENOMINATION	AMOUNT
001	66.03261.00	160CC HYDRAULIC MOTOR	1
002	601.16060.86	HEXAGON SOCKET HEAD SCREW DIN912 M16x60	4
003	104.16000.00	CIR-CLIP EXT. DIN7980	8
004	101.16000.66	WASHER DIN125 D16	6
005	603.16040.86	SHOCK ABSORBER, 35x50x72	2
006	604.16070.86	BOLT DIN931 M16x70	2
007	711.16000.86	NUT DIN982 M16 C8	2
008	66.04431.00	SUPPORT FIXING REDUCTION BOX	1
009	66.03240.00	GEAR BOX	1

03. TRANSMISSION UNIVERSAL JOINT

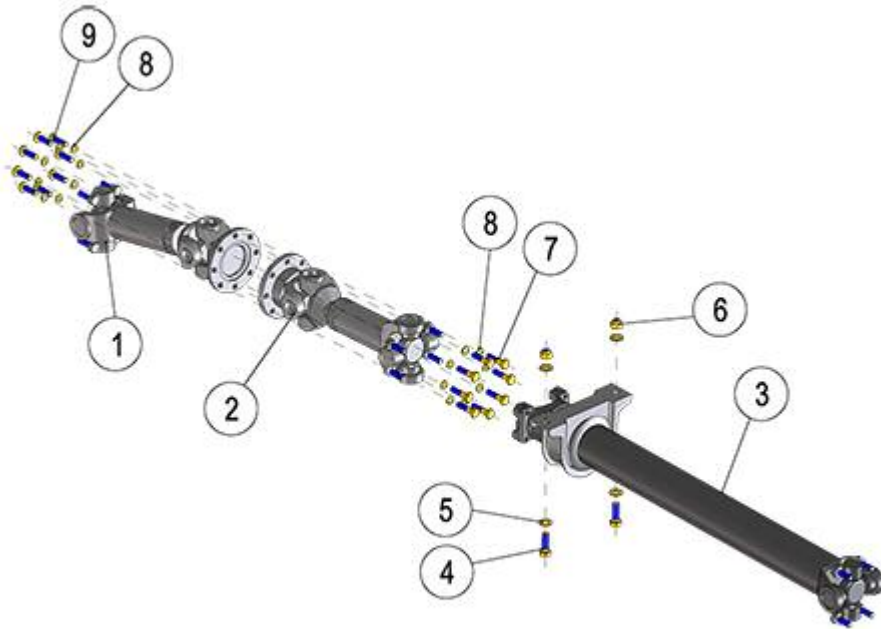


FIGURE	REFERENCE	DENOMINATION	AMOUNT
001	66.03601.00	CARDAN 310	1
002	66.03602.00	CARDAN 255	1
003	66.03600.00	CARDAN 817	1
004	604.12035.86	SCREW DIN931 M12x35	2
005	101.12000.66	WASHER DIN125 D12	4
006	711.12000.66	NUT DIN982 M12	2
007	604.10040.86	SCREW DIN931	8
008	104.10000.00	WASHER DIN7980 D10	16
009	603.10030.86	SCREW DIN933	8

03. TRANSMISSION

FRONT AXLE (1)

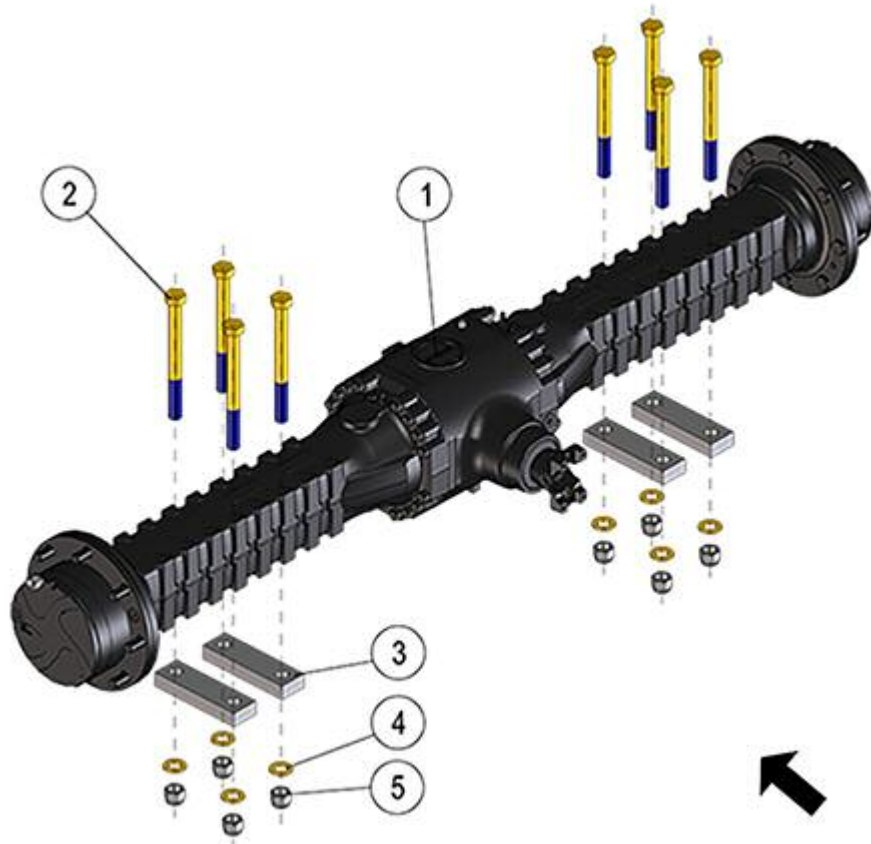


FIGURE	REFERENCE	DENOMINATION	AMOUNT
001	66.03300.00	FIXED FRONT AXLE	1
001	66.03300.00	FIXED FRONT AXLE	1
002	604.24260.86	SCREW DIN931	8
002	604.24260.86	SCREW DIN931	8
003	64.04139.00	Deck 30X60X205	4
003	64.04139.00	Deck 30X60X205	4
004	101.24000.66	WASHER DIN125	8
004	101.24000.66	WASHER DIN125	8
005	711.24000.66	NUT DIN982 M24X3	8
005	711.24000.66	NUT DIN982 M24X3	8

03. TRANSMISSION FRONT AXLE (2)

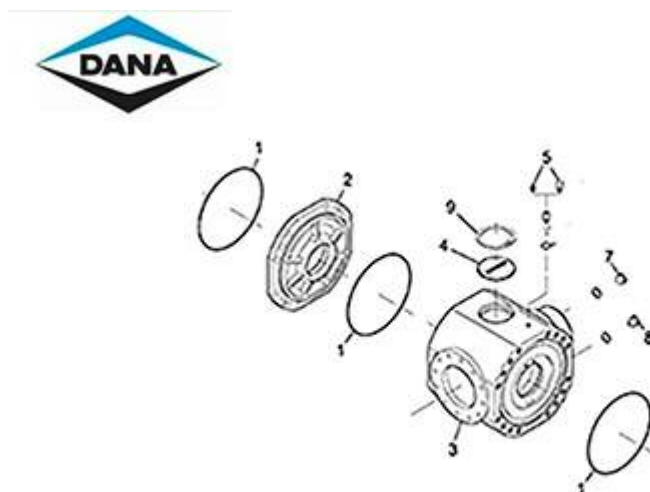


FIGURE	REFERENCE	DENOMINATION	AMOUNT
001	DA001051178	O-RING	3
001	DA001051178	O-RING	3
002	DA1120100706	COVER	1
002	DA1120100706	COVER	1
003	DA1120103703	CASING	1
003	DA1120103703	CASING	1
004	DA1710101504	CAP	1
004	DA1710101504	CAP	1
005	DA1120101806	CAP	1
005	DA1120101806	CAP	1
007	DA1120161001	CAP	7
007	DA1120161001	CAP	7
008	DA1120161003	MAGNET PLUG	1
008	DA1120161003	MAGNET PLUG	1
009	DA002020088	CIRCLIP	1
009	DA002020088	CIRCLIP	1

03. TRANSMISSION FRONT AXLE (3)

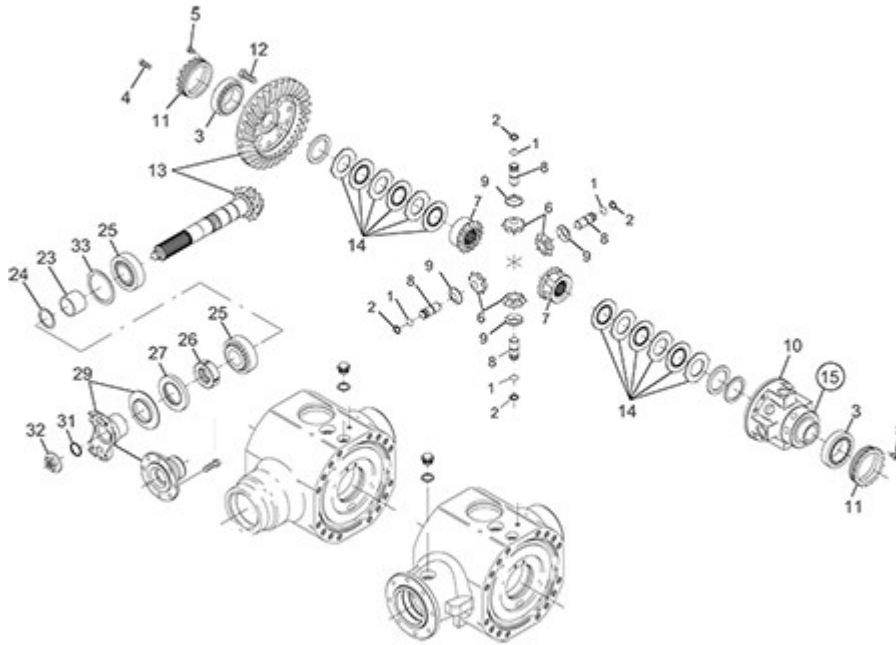


FIGURE	REFERENCE	DENOMINATION	AMOUNT
001	DA002063163	CIRCLIP	4
001	DA002063163	CIRCLIP	4
002	DA002143244	CIRCLIP	4
002	DA002143244	CIRCLIP	4
003	DA7250401102	BUSH	2
003	DA7250401102	BUSH	2
004	DA016040417	BOLT	4
004	DA016040417	BOLT	4
005	DA016304162	BOLT	2
005	DA016304162	BOLT	2
006	DA1120400401	DIFFERENTIAL PINION	4
006	DA1120400401	DIFFERENTIAL PINION	4
007	DA1120400508	DIFFERENTIAL SIDE GEAR	2
007	DA1120400508	DIFFERENTIAL SIDE GEAR	2
008	DA1120470602	BOLT	4
008	DA1120470602	BOLT	4
009	DA1120400801	WASHER	4
009	DA1120400801	WASHER	4

010	DA1120401104	DIFFERENTIAL HOUSING	1
010	DA1120401104	DIFFERENTIAL HOUSING	1
011	DA1120401602	CLAMP	2
011	DA1120401602	CLAMP	2
012	DA016283390	SCREW	12
012	DA016283390	SCREW	12
013	DA1120451004	BEVEL GEAR SET	1
013	DA1120451004	BEVEL GEAR SET	1
014	DA1120461103	DIFFERENTIAL DISC SET	2
014	DA1120461103	DIFFERENTIAL DISC SET	2
015	DA1120470308	LIMITED-SLIP DIFERENTIAL	1
015	DA1120470308	LIMITED-SLIP DIFERENTIAL	1
023	DA1120400902	SPACER	1
023	DA1120400902	SPACER	1
024	DA1230440002	SHIM SET	1
024	DA1230440002	SHIM SET	1
025	DA005100162	BUSH	2
025	DA005100162	BUSH	2

03. TRANSMISSION FRONT AXLE (3)

FIGURE	REFERENCE	DENOMINATION	AMOUNT
026	DA9530401201	CLAMP	1
026	DA9530401201	CLAMP	1
027	DA001033221	SEAL	1
027	DA001033221	SEAL	1
029	DA1120473101	FLANGE	1
029	DA1120473101	FLANGE	1
031	DA001053158	O-RING	1
031	DA001053158	O-RING	1
032	DA3571413902	NUT	1
032	DA3571413902	NUT	1
033	DA1120440004	SHIM SET	1
033	DA1120440004	SHIM SET	1

03. TRANSMISSION FRONT AXLE (4)

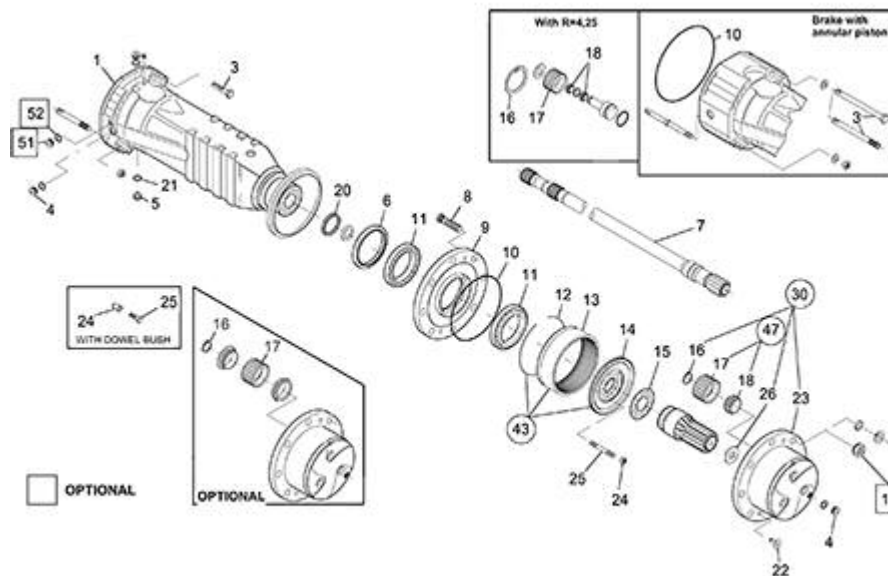


FIGURE	REFERENCE	DENOMINATION	AMOUNT
001	DA1120601827	ARM	2
001	DA1120601827	ARM	2
003	DA1120607001	SCREW	28
003	DA1120607001	SCREW	28
004	DA1120161001	CAP	4
004	DA1120161001	CAP	4
005	DA1120161003	MAGNET PLUG	2
005	DA1120161003	MAGNET PLUG	2
006	DA1770600901	SEAL	2
006	DA1770600901	SEAL	2
007	DA1120600201	HALF SHAFT	2
007	DA1120600201	HALF SHAFT	2
008	DA7020601702	STUD	16
008	DA7020601702	STUD	16
009	DA1120611003	WHEEL HUB	2
009	DA1120611003	WHEEL HUB	2
010	DA001051178	O-RING	2
010	DA001051178	O-RING	2
011	DA005103166	BUSH	4
011	DA005103166	BUSH	4
012	DA002063193	CIRCLIP	2
012	DA002063193	CIRCLIP	2
013	DA1120600504	CROWN GEAR	2
013	DA1120600504	CROWN GEAR	2

014	DA1120600707	SUPPORT	2
014	DA1120600707	SUPPORT	2
015	DA1120602601	LOCK PLATE	2
015	DA1120602601	LOCK PLATE	2
016	DA002143191	CIRCLIP	4
016	DA002143191	CIRCLIP	4
017	DA1120600606	PLANETARY GEAR	8
017	DA1120600606	PLANETARY GEAR	8
018	DA7300602604	BUSH	8
018	DA7300602604	BUSH	8
019	DA006080206	WHEEL NUT	16
019	DA006080206	WHEEL NUT	16

03. TRANSMISSION

FRONT AXLE (4)

FIGURE	REFERENCE	DENOMINATION	AMOUNT
020	DA001404360	SEAL	2
020	DA001404360	SEAL	2
022	DA016060442	SCREW	4
022	DA016060442	SCREW	4
023	DA1120605005	PLANET CARRIER COVER	1
023	DA1120605005	PLANET CARRIER COVER	1
024	DA006224380	NUT	16
024	DA006224380	NUT	16
025	DA1120602503	STUD	16
025	DA1120602503	STUD	16
026	DA1120601702	WASHER	1
026	DA1120601702	WASHER	1
030	DA2120671018	PLANET CARRIER COVER	2
030	DA2120671018	PLANET CARRIER COVER	2
043	DA2120670707	CROWN GEAR SUPPORT KIT	2
043	DA2120670707	CROWN GEAR SUPPORT KIT	2
047	DA1120670606	PLANETARY GEAR SET	8
047	DA1120670606	PLANETARY GEAR SET	8
051	DA1370600602	CAP	2
051	DA1370600602	CAP	2
052	DA011070918	WASHER	2
052	DA011070918	WASHER	2

03. TRANSMISSION

FRONT AXLE (5)

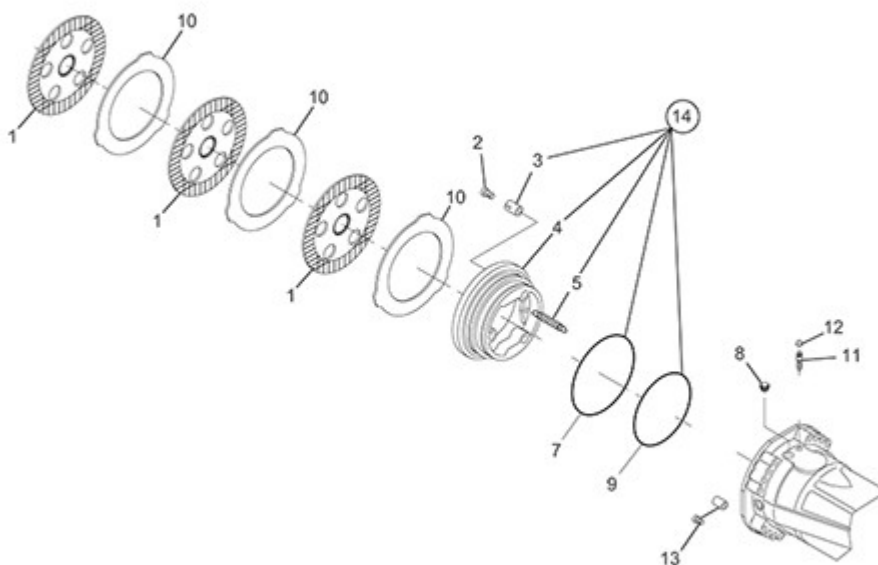


FIGURE	REFERENCE	DENOMINATION	AMOUNT
001	DA1120761004	DISC	8
001	DA1120761004	DISC	8
002	DA1120703709	SCREW	6
002	DA1120703709	SCREW	6
003	DA1120700204	SPRING	6
003	DA1120700204	SPRING	6
004	DA1120700716	PISTON	2
004	DA1120700716	PISTON	2
005	DA1800700401	SPRING	6
005	DA1800700401	SPRING	6
007	DA1120707601	O-RING	2
007	DA1120707601	O-RING	2
008	DA1120761501	CAP	2
008	DA1120761501	CAP	2
009	DA1120707501	O-RING	2
009	DA1120707501	O-RING	2
010	DA1120700606	INTERMEDIATE BRAKE DISC	10
010	DA1120700606	INTERMEDIATE BRAKE DISC	10

011	DA7340701401	BOLT	2
011	DA7340701401	BOLT	2
012	DA7340701501	CAP	2
013	DA1620700405	SCREW	2
013	DA1620700405	SCREW	2
014	DA1120770416	PISTON SET	2
014	DA1120770416	PISTON SET	2

03. TRANSMISSION

REAR AXLE (1)

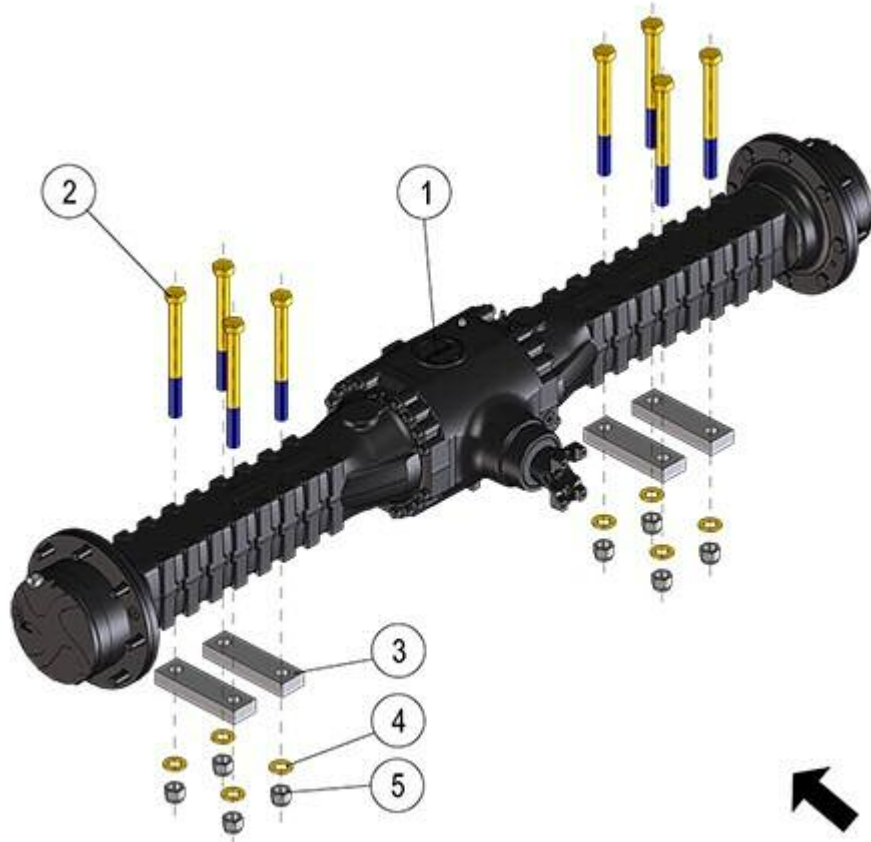


FIGURE	REFERENCE	DENOMINATION	AMOUNT
001	63.03214.02	FIXED REAR AXLE	1
001	63.03214.02	FIXED REAR AXLE	1
002	604.24260.86	SCREW DIN931	8
002	604.24260.86	SCREW DIN931	8
003	64.04139.00	Deck 30X60X205	4
003	64.04139.00	Deck 30X60X205	4
004	101.24000.66	WASHER DIN125	8
004	101.24000.66	WASHER DIN125	8
005	711.24000.66	NUT DIN982 M24X3	8
005	711.24000.66	NUT DIN982 M24X3	8

03. TRANSMISSION

REAR AXLE (2)

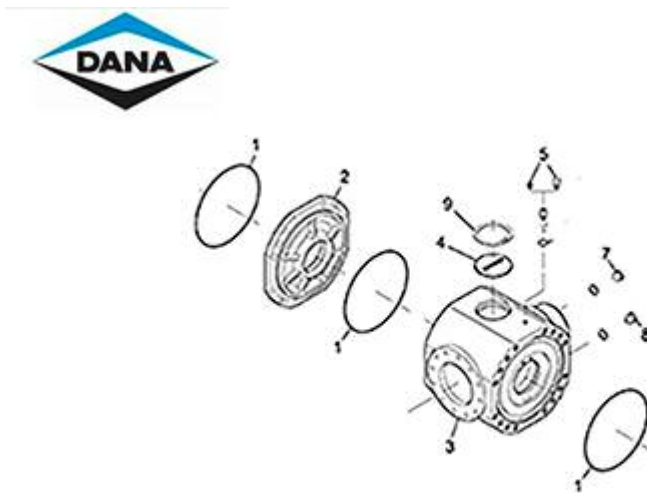


FIGURE	REFERENCE	DENOMINATION	AMOUNT
001	DA001051178	O-RING	3
002	DA1120100705		1
003	DA1120103703	CASING	1
004	DA1710101504	CAP	1
005	DA1120101802	VENT	1
007	DA1120161001	CAP	1
008	DA1120161003	MAGNET PLUG	1
009	DA002020088	CIRCLIP	1

03. TRANSMISSION

REAR AXLE (3)

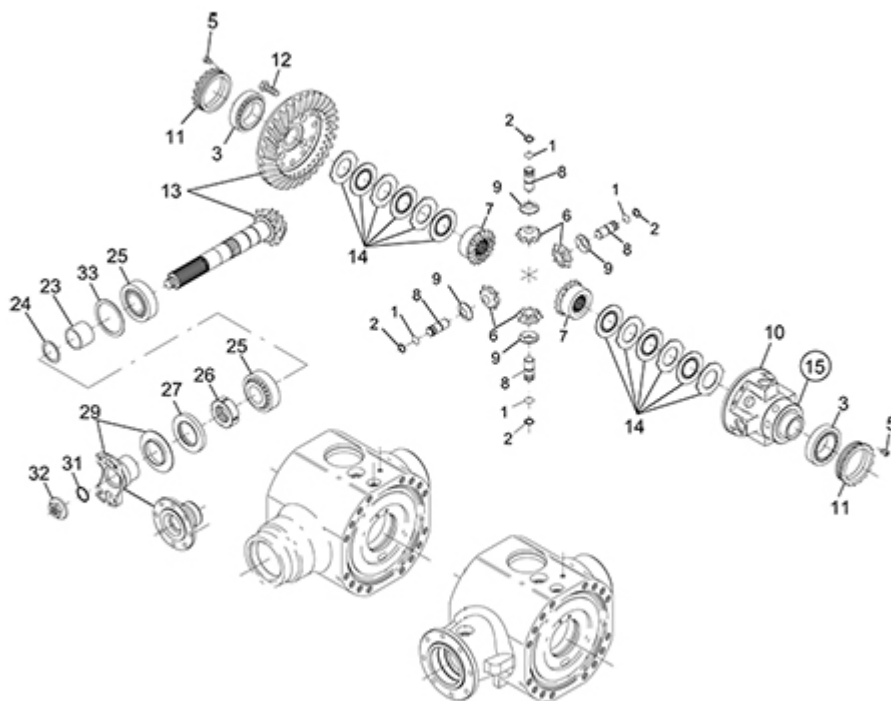


FIGURE	REFERENCE	DENOMINATION	AMOUNT
001	DA3571413901	NUT	1
002	DA1120473101	FLANGE	1
003	DA9530102501	COVERPLATE	1
004	DA001034328	SEAL	1
005	DA016304289		4
006	DA002143244	CIRCLIP	4
007	DA001053158	O-RING	1
008	DA9530401201	CLAMP	1
009	DA1120400902	SPACER	1
010	DA1230440002	SHIM SET	1
011	DA1120440004	SHIM SET	1
012	DA005100162	BUSH	2
013	DA1120450064	CONICAL GEAR SET	1
014	DA016304162	BOLT	2
015	DA005091039	TAPER ROLLER BEARING	2
017	DA1120400508	DIFFERENTIAL SIDE GEAR	2
018	DA1120400404	SATELLITE	4
019	DA1120400603	PIN	4

020	DA002063163	CIRCLIP	4
021	DA1120400801	WASHER	4
022	DA7380404401		6
023	DA016283390	SCREW	12
024	DA1120401602	CLAMP	2
025	DA1120403602		2
026	DA1120401309		8
027	DA1120401104	DIFFERENTIAL HOUSING	1
032	DA1120470304		1
033	DA1120461103	DIFFERENTIAL DISC SET	2
039	DA7380404403		2
040	DA1120403101		1
041	DA1120470602	BOLT	4
042	DA1120403502		2

03. TRANSMISSION

REAR AXLE (4)

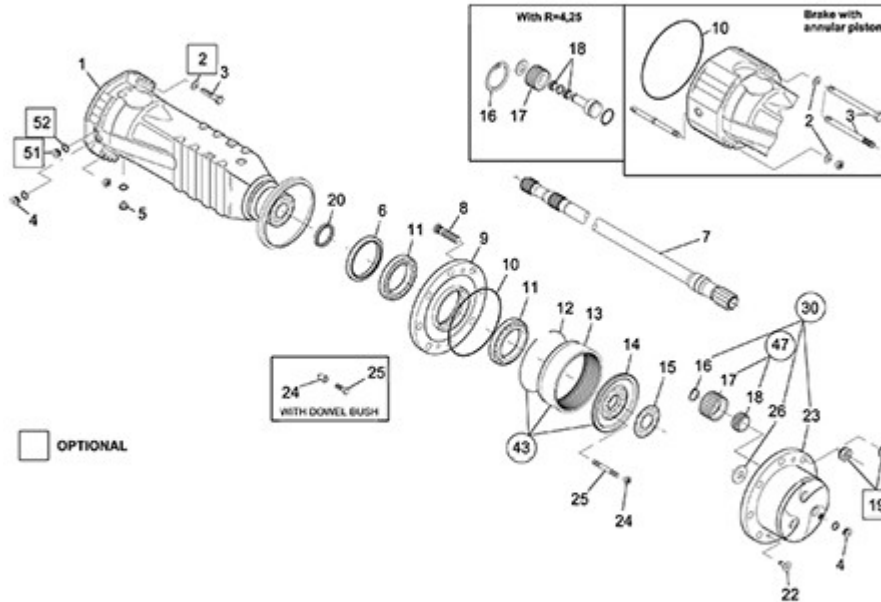


FIGURA	REFERENCIA	DENOMINACIÓN	CANTIDAD
001	DA1120601814	AXLE CASE	2
003	DA1120607001	SCREW	32
004	DA1120161001	CAP	4
005	DA1120161003	MAGNET PLUG	2
006	DA1770600901	SEAL	2
007	DA1120600201	HALF SHAFT	2
008	DA7020601702	STUD	16
009	DA1120604901	WHEEL HUB	2
010	DA001051178	O-RING	2
011	DA005103166	BUSH	4
012	DA002063193	CIRCLIP	2
013	DA1120600504	CROWN GEAR	2
014	DA1120600707	SUPPORT	2
015	DA1120602601	LOCK PLATE	2
016	DA002143191	CIRCLIP	8
017	DA1120600603	PLANET GEAR	8
018	DA1120600802	BEARING	8
019	DA1120670601		8

020	DA001404360	SEAL	2
022	DA016060442	SCREW	4
023	DA1120605005	PLANET CARRIER COVER	2
024	DA006224380	NUT	16
025	DA1120602502		16
026	DA1120601702	WASHER	2
027	DA2120670707	CROWN GEAR SUPPORT KIT	2
028	DA2120671018	PLANET CARRIER COVER	2
029	DA006080206	WHEEL NUT	16

03. TRANSMISSION

REAR AXLE (5)

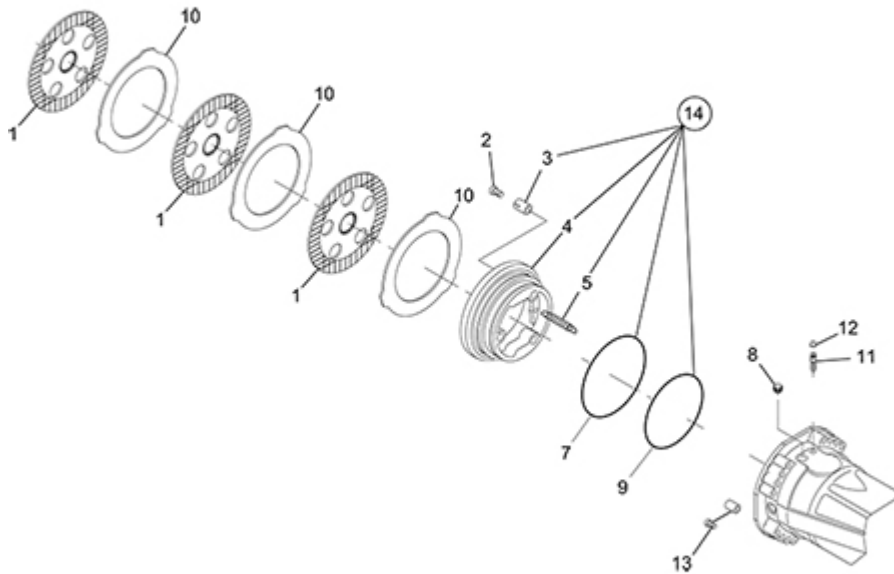


FIGURA	REFERENCIA	DENOMINACIÓN	CANTIDAD
001	DA1120761004	DISC	6
002	DA1120703709	SCREW	6
003	DA1120700203	SPRING	6
004	DA1120700714	PISTON	2
005	DA1800700401	SPRING	6
006	DA1120700902	RING	2
007	DA1120700802	RING	2
008	DA1120700901	RING	2
009	DA1120700801	O-RING	2
010	DA1120700601	INTERMEDIATE BRAKE DISC	8
011	DA7340701401	BOLT	2
012	DA7340701501	CAP	2
013	DA014020913	DOWEL	2
014	DA1120770402	KIT	2
017	DA011074225		2
018	DA016104218		2
019	DA1120761501	CAP	2

04. CHASSIS

CHASSIS (PART 1)

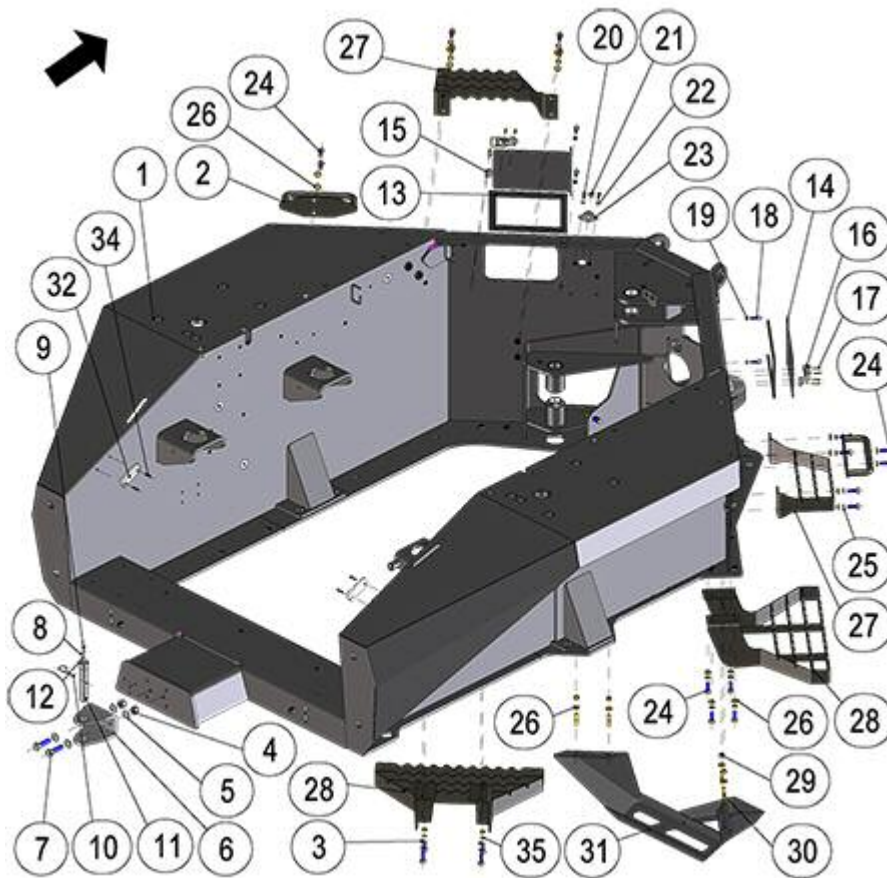


FIGURA	REFERENCIA	DENOMINACIÓN	CANTIDAD
001	66.04400.01	CHASSIS	1
002	66.08143.00	HANDLE	2
003	101.08000.66	WASHER DIN125 D8	4
004	711.14000.66	NUT DIN982 M14 8.8 K	2
005	101.14000.66	WASHER DIN125 D14	4
006	70.08090.00	support 80X100X125	1
007	604.14050.86	SCREW DIN931	2
008	15.00834.00	CHAIN	1
009	603.05010.86	SCREW DIN933 M5x10	1
010	15.00836.00	PIN DIN11024 R4	1
011	15.00835.00	AXLE CPA/GRA 25x30x135	1
012	701.05000.66	NUT DIN934 M5x0.8	1
013	477.10020.00	RUBBER PROFILE MAT.	1
014	66.04420.00	TANK COVER	2
015	60.01924.01	LATCH	2
016	60.01925.01	LATCH	2
017	502.05016.60	RIVET DIN1476	8
018	66.04735.00	SUPPORT ARTICULATION M8X1.25X20	4

019	711.08000.66	NUT DIN982 M8	4
020	604.06025.86	SCREW	2
021	64.10189.00		1
022	104.06000.00	WASHER DIN7980 D6	2
023	64.10187.00		1
024	603.10030.86	SCREW DIN933	20
025	104.10000.00	WASHER DIN7980 D10	12
026	101.10000.66	WASHER DIN125 D10	20
027	66.04132.00	UPPER STEP	2
028	66.04130.00	LOWER STEP	2
029	711.10000.66	SHOCK ABSORBER	4
030	15.01034.00	STUD DIN938* 41 M10x1,5	4
031	66.04410.01	PROTECTION	1
032	66.08213.00	LEFT PROFILE	1
033	66.08214.00	RIGHT PROFILE	1
034	618.05020.86	SCREW DIN7991	4
035	104.08000.00	WASHER DIN7980 D8	4

04. CHASSIS

CHASSIS (PART 2)

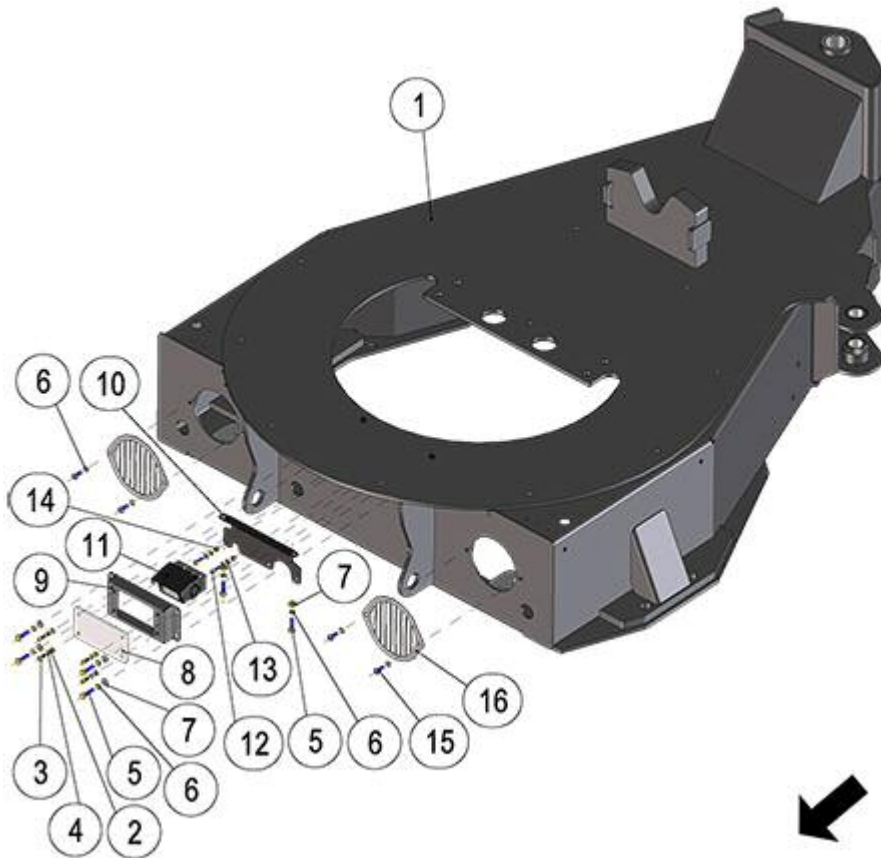


FIGURA	REFERENCIA	DENOMINACIÓN	CANTIDAD
001	66.04200.00	TURNING FRAME	1
001	66.04200.00	TURNING FRAME	1
002	101.06000.66	WASHER DIN125 D6	4
002	101.06000.66	WASHER DIN125 D6	4
003	630.06020.96	SCREW ISO7380 M6x20	4
003	630.06020.96	SCREW ISO7380 M6x20	4
004	104.06000.00	WASHER DIN7980 D6	4
004	104.06000.00	WASHER DIN7980 D6	4
005	603.08030.86	SCREW DIN933 M8X30	6
005	603.08030.86	SCREW DIN933 M8X30	6
006	104.08000.00	WASHER DIN7980 D8	10
006	104.08000.00	WASHER DIN7980 D8	10
007	101.08000.66	WASHER DIN125 D8	6
007	101.08000.66	WASHER DIN125 D8	6
008	66.04212.00	SHEET	1
008	66.04212.00	SHEET	1
009	66.04211.00	BOX	1
009	66.04211.00	BOX	1

010	66.04210.00	FIXING SUPPORT	1
010	66.04210.00	FIXING SUPPORT	1
011	64.11052.00	VISION CAMERA 72X87X75MM	1
011	64.11052.00	VISION CAMERA 72X87X75MM	1
012	601.06020.86	SCREW DIN912	2
012	601.06020.86	SCREW DIN912	2
013	101.06000.67	WASHER DIN125 D6	4
013	101.06000.67	WASHER DIN125 D6	4
014	711.06000.66	NUT DIN982 M6	2
014	711.06000.66	NUT DIN982 M6	2
015	630.08020.96	SCREW ISO7380	4
015	630.08020.96	SCREW ISO7380	4
016	66.08028.00	BULB GUARD FRONTAL LIGHT	2
016	66.08028.00	BULB GUARD FRONTAL LIGHT	2

04. CHASSIS

CHASSIS AXLE

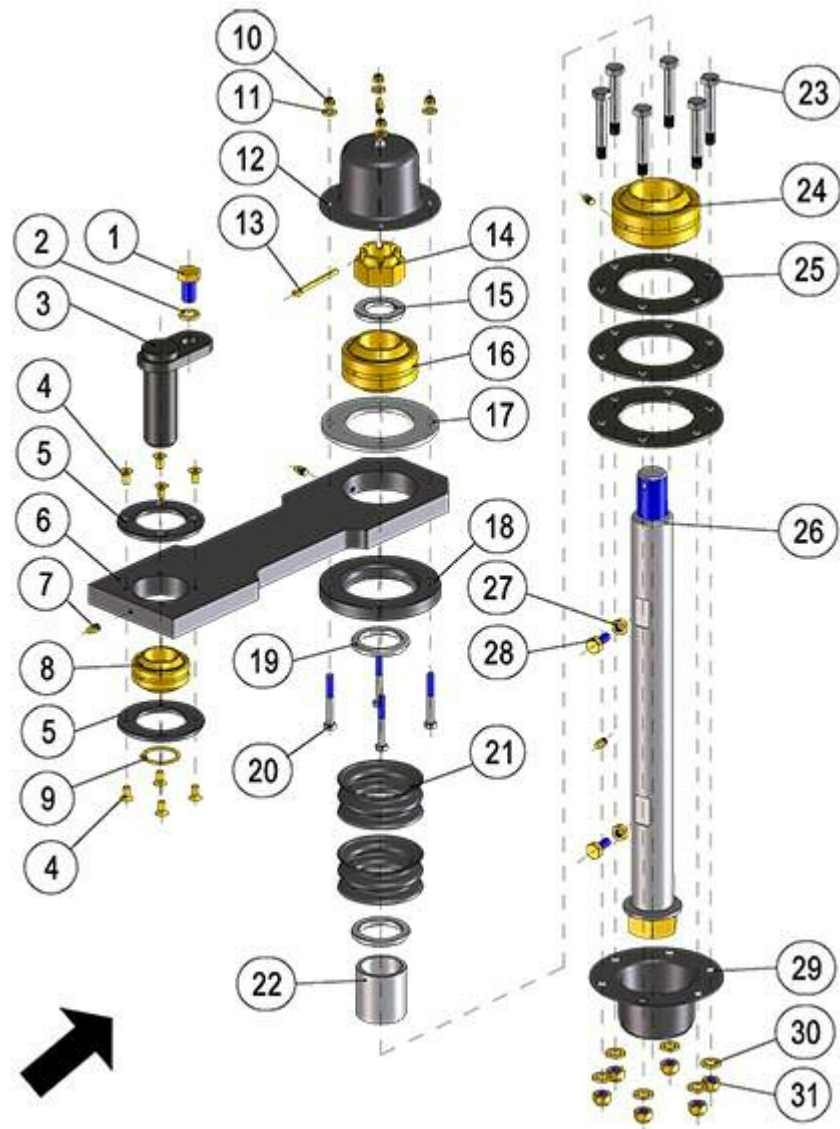


FIGURA	REFERENCIA	DENOMINACIÓN	CANTIDAD
001	603.16030.86	BOLT DIN933 M16x30	1
001	603.16030.86	BOLT DIN933 M16x30	1
002	104.16000.00	CIR-CLIP EXT. DIN7980	1
002	104.16000.00	CIR-CLIP EXT. DIN7980	1
003	64.06224.00	SPINDLE 40x120	1
003	64.06224.00	SPINDLE 40x120	1
004	618.08016.86	FLAT HEAD SOCKET CAP SCREW DIN7991 M8x16	8
004	618.08016.86	FLAT HEAD SOCKET CAP SCREW DIN7991 M8x16	8
005	64.06219.00	COVER 6x104	2
005	64.06219.00	COVER 6x104	2
006	64.06212.01	CONNECTING ROD 90X68X504.5	1
006	64.06212.01	CONNECTING ROD 90X68X504.5	1
007	901.08000.33	GREASER DIN71412-A M8x1,25	3

007	901.08000.33	GREASER DIN71412-A M8x1,25	3
008	941.40040.01	BUSHING GE40FO 2RS-C2	1
008	941.40040.01	BUSHING GE40FO 2RS-C2	1
009	904.40000.00	RING DIN471	1
009	904.40000.00	RING DIN471	1
010	711.08000.66	NUT DIN982 M8	4
010	711.08000.66	NUT DIN982 M8	4
011	101.08000.66	WASHER DIN125 D8	4
011	101.08000.66	WASHER DIN125 D8	4
012	64.06210.02	COVER Ø93X145	1
012	64.06210.02	COVER Ø93X145	1
013	401.06070.60	PIN DIN94 6x70	1
013	401.06070.60	PIN DIN94 6x70	1
014	703.36000.60	NUT DIN935 M36x4	1
014	703.36000.60	NUT DIN935 M36x4	1
015	64.06221.00	RING 37x60x6	1
015	64.06221.00	RING 37x60x6	1
016	941.50056.01	BUSHING GE50FO 2RS-2C	1
016	941.50056.01	BUSHING GE50FO 2RS-2C	1
017	65.04143.00	COVER 140x6	1
017	65.04143.00	COVER 140x6	1
018	64.06213.00	COVER	1
018	64.06213.00	COVER	1

04. CHASSIS

CHASSIS AXLE

FIGURA	REFERENCIA	DENOMINACIÓN	CANTIDAD
019	64.06215.00	RING 8x51x70	2
019	64.06215.00	RING 8x51x70	2
020	604.08065.86	SCREW DIN931 M8X65	4
020	604.08065.86	SCREW DIN931 M8X65	4
021	64.06214.00	DUST EXCLUDER 43x103	2
021	64.06214.00	DUST EXCLUDER 43x103	2
022	64.06217.00	BUSHING 50x60x5	1
022	64.06217.00	BUSHING 50x60x5	1
023	604.12080.86	SCREW DIN931 M12x80	6
023	604.12080.86	SCREW DIN931 M12x80	6
024	941.60063.01	BUSHING GE60FO 2RS-2C	1
024	941.60063.01	BUSHING GE60FO 2RS-2C	1
025	64.06226.00	COVER 90X160X4	3
025	64.06226.00	COVER 90X160X4	3

026	63.04144.01	SHAFT 36X36X606	1
026	63.04144.01	SHAFT 36X36X606	1
027	701.10000.66	NUT DIN934 M10x1.5	2
027	701.10000.66	NUT DIN934 M10x1.5	2
028	603.10025.86	SCREW DIN933 M10x25	2
028	603.10025.86	SCREW DIN933 M10x25	2
029	64.06218.01	COVER 73/160	1
029	64.06218.01	COVER 73/160	1
030	101.12000.66	WASHER DIN125 D12	6
030	101.12000.66	WASHER DIN125 D12	6
031	711.12000.86	NUT DIN982 M12 C8	6
031	711.12000.86	NUT DIN982 M12 C8	6

04. CHASSIS SUPPORTS

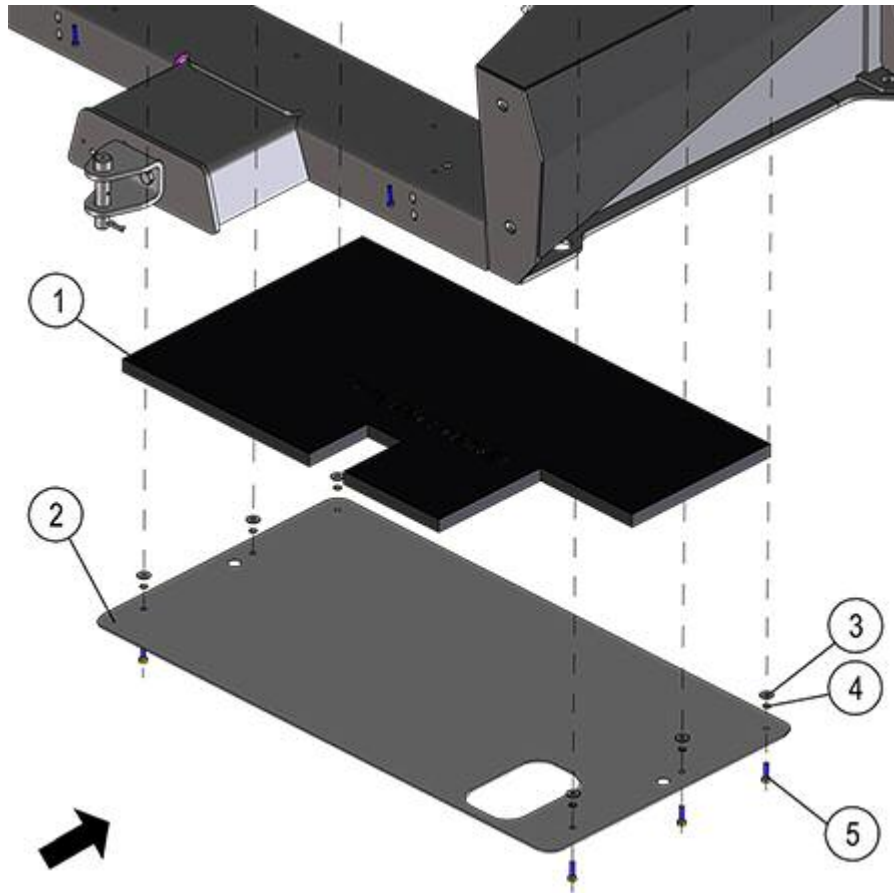


FIGURA	REFERENCIA	DENOMINACIÓN	CANTIDAD
001	66.04040.00	ACOUSTIC ABSORBENT	1
001	66.04040.00	ACOUSTIC ABSORBENT	1
002	66.04020.00	ENGINE PROTECTOR AND SOUNDLESS COVER	1
002	66.04020.00	ENGINE PROTECTOR AND SOUNDLESS COVER	1
003	112.08000.66	WASHER DIN9021 D8	6
003	112.08000.66	WASHER DIN9021 D8	6
004	104.08000.00	WASHER DIN7980 D8	6
004	104.08000.00	WASHER DIN7980 D8	6
005	603.08030.86	SCREW DIN933 M8X30	6
005	603.08030.86	SCREW DIN933 M8X30	6

05. BRAKE ACTIVATION FOOT BRAKE

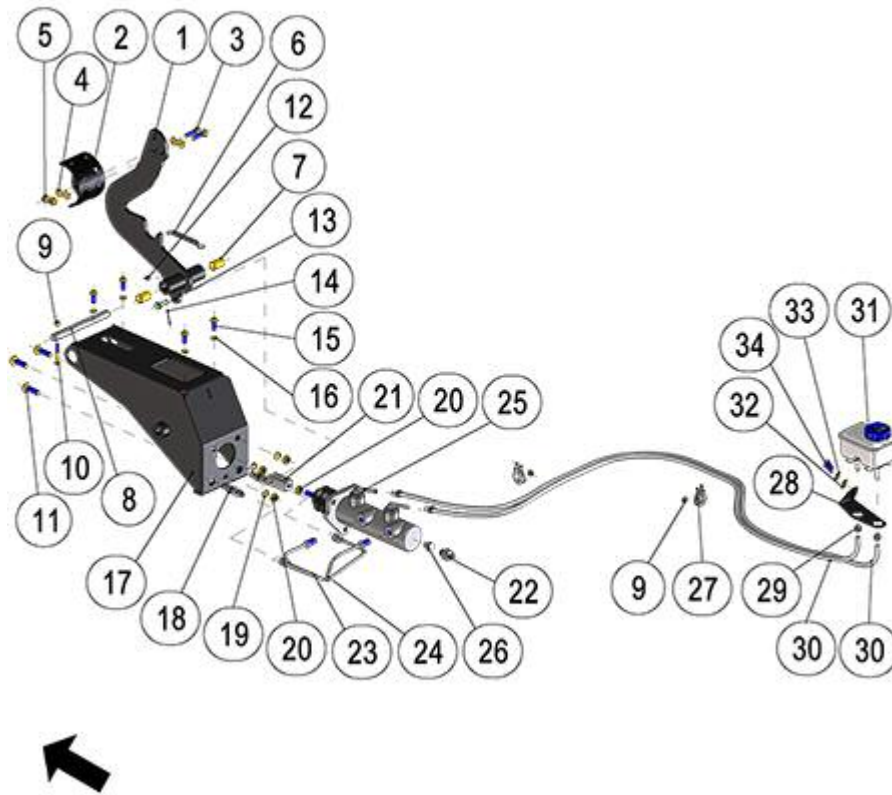


FIGURA	REFERENCIA	DENOMINACIÓN	CANTIDAD
001	66.05110.01	BRAKE PEDAL SUPPORT	1
001	66.05110.01	BRAKE PEDAL SUPPORT	1
002	66.05111.00	BRAKE PEDAL	1
002	66.05111.00	BRAKE PEDAL	1
003	603.08030.86	SCREW DIN933 M8X30	2
003	603.08030.86	SCREW DIN933 M8X30	2
004	101.08000.66	WASHER DIN125 D8	4
004	101.08000.66	WASHER DIN125 D8	4
005	711.08000.66	NUT DIN982 M8	2
005	711.08000.66	NUT DIN982 M8	2
006	45.00139.00	SPRING TENSION	1
006	45.00139.00	SPRING TENSION	1
007	949.01525.00	BUSHING 15x17x25 DIN 1494	2
007	949.01525.00	BUSHING 15x17x25 DIN 1494	2
008	65.05113.00	SHAFT CYL/CYL 15x152	1
008	65.05113.00	SHAFT CYL/CYL 15x152	1
009	711.06000.66	NUT DIN982 M6	4
009	711.06000.66	NUT DIN982 M6	4

010	604.06040.86	SCREW DIN931 M6x40	1
010	604.06040.86	SCREW DIN931 M6x40	1
011	603.10030.86	SCREW DIN933	3
011	603.10030.86	SCREW DIN933	3
012	901.06000.33	GREASER DIN71412-A	1
012	901.06000.33	GREASER DIN71412-A	1
013	01.00514.01	AXLE CIL/CPA 14x8x28	1
013	01.00514.01	AXLE CIL/CPA 14x8x28	1
014	401.02025.60	PIN DIN94 2x25	1
014	401.02025.60	PIN DIN94 2x25	1
015	630.08020.96	SCREW ISO7380	4
015	630.08020.96	SCREW ISO7380	4
016	104.08000.00	WASHER DIN7980 D8	4
016	104.08000.00	WASHER DIN7980 D8	4
017	66.05120.00	BRAKE STRUCTURE	1
017	66.05120.00	BRAKE STRUCTURE	1
018	64.05123.00	FITTING M/M	6
018	64.05123.00	FITTING M/M	6

05. BRAKE ACTIVATION

FOOT BRAKE

FIGURA	REFERENCIA	DENOMINACIÓN	CANTIDAD
019	104.10000.00	WASHER DIN7980 D10	3
019	104.10000.00	WASHER DIN7980 D10	3
020	701.10000.66	NUT DIN934 M10x1.5	4
020	701.10000.66	NUT DIN934 M10x1.5	4
021	20.05040.00	ART. FORK	1
021	20.05040.00	ART. FORK	1
022	43.01520.00	BRAKE FLUID SWITCH	1
022	43.01520.00	BRAKE FLUID SWITCH	1
023	66.05018.00	TUBE	1
023	66.05018.00	TUBE	1
024	66.05019.00	TUBE	1
024	66.05019.00	TUBE	1
025	64.05112.00	MASTER CYLINDER	1
025	64.05112.00	MASTER CYLINDER	1
026	15.07780.00	SCREW DIN910*	1
026	15.07780.00	SCREW DIN910*	1
027	830.01806.00	CLAMP LOOP	2
027	830.01806.00	CLAMP LOOP	2
028	66.05107.00	SUPPORT	4

028	66.05107.00	SUPPORT	4
029	948.01208.00	FLANGE	2
029	948.01208.00	FLANGE	2
030	469.15009.00	PLASTIC HOSE 6X9	1
030	469.15009.00	PLASTIC HOSE 6X9	1
031	64.05110.00	BRAKES FLUID TANK	1
031	64.05110.00	BRAKES FLUID TANK	1
032	101.06000.66	WASHER DIN125 D6	2
032	101.06000.66	WASHER DIN125 D6	2
033	104.06000.00	WASHER DIN7980 D6	2
033	104.06000.00	WASHER DIN7980 D6	2
034	601.06015.86	SCREW DIN912	2
034	601.06015.86	SCREW DIN912	2

05. BRAKE ACTIVATION

FOOT BRAKE

BASTIDOR: 86680

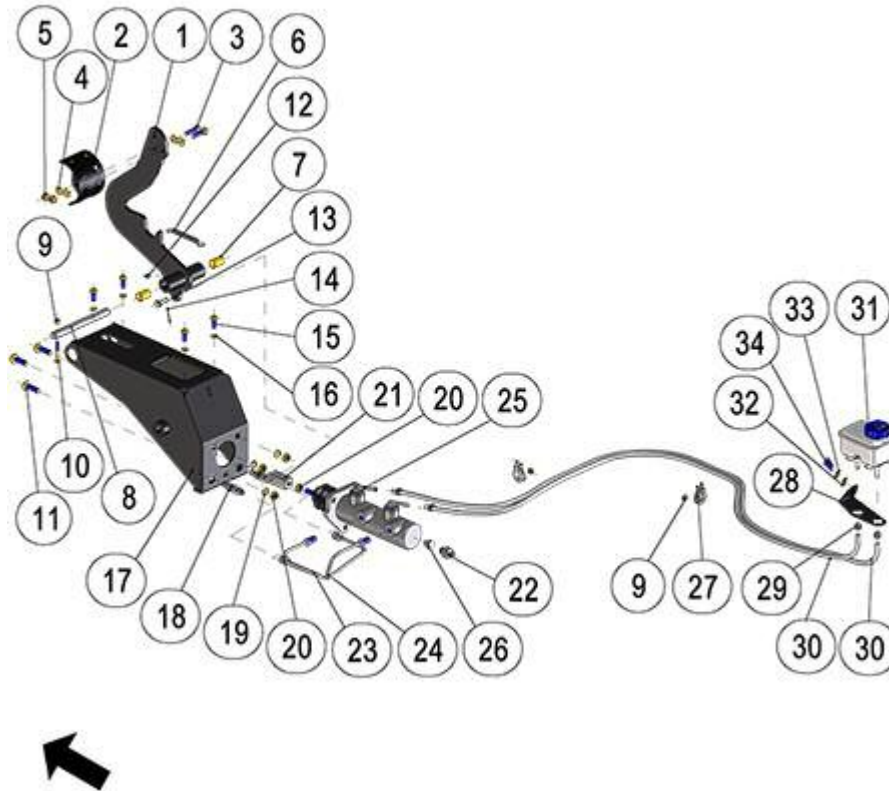


FIGURA	REFERENCIA	DENOMINACIÓN	CANTIDAD
001	66.05110.02	BRAKE PEDAL SUPPORT	1
002	66.05111.01	BRAKE PEDAL	1
003	603.08030.86	SCREW DIN933 M8X30	2
003	603.08030.86	SCREW DIN933 M8X30	2
004	101.08000.66	WASHER DIN125 D8	4
004	101.08000.66	WASHER DIN125 D8	4
005	711.08000.66	NUT DIN982 M8	2
005	711.08000.66	NUT DIN982 M8	2
006	45.00139.00	SPRING TENSION	1
006	45.00139.00	SPRING TENSION	1
007	949.01525.00	BUSHING 15x17x25 DIN 1494	2
007	949.01525.00	BUSHING 15x17x25 DIN 1494	2
008	65.05113.00	SHAFT CYL/CYL 15x152	1
008	65.05113.00	SHAFT CYL/CYL 15x152	1
009	711.06000.66	NUT DIN982 M6	4
009	711.06000.66	NUT DIN982 M6	4
010	604.06040.86	SCREW DIN931 M6x40	1
010	604.06040.86	SCREW DIN931 M6x40	1

011	603.10030.86	SCREW DIN933	3
011	603.10030.86	SCREW DIN933	3
012	901.06000.33	GREASER DIN71412-A	1
012	901.06000.33	GREASER DIN71412-A	1
013	01.00514.01	AXLE CIL/CPA 14x8x28	1
013	01.00514.01	AXLE CIL/CPA 14x8x28	1
014	401.02025.60	PIN DIN94 2x25	1
014	401.02025.60	PIN DIN94 2x25	1
015	630.08020.96	SCREW ISO7380	4
015	630.08020.96	SCREW ISO7380	4
016	104.08000.00	WASHER DIN7980 D8	4
016	104.08000.00	WASHER DIN7980 D8	4
017	66.05120.00	BRAKE STRUCTURE	1
017	66.05120.00	BRAKE STRUCTURE	1
018	64.05123.00	FITTING M/M	6
018	64.05123.00	FITTING M/M	6
019	104.10000.00	WASHER DIN7980 D10	3
019	104.10000.00	WASHER DIN7980 D10	3

05. BRAKE ACTIVATION

FOOT BRAKE

BASTIDOR: 86680

FIGURA	REFERENCIA	DENOMINACIÓN	CANTIDAD
020	701.10000.66	NUT DIN934 M10x1.5	4
020	701.10000.66	NUT DIN934 M10x1.5	4
021	20.05040.00	ART. FORK	1
021	20.05040.00	ART. FORK	1
022	43.01520.00	BRAKE FLUID SWITCH	1
022	43.01520.00	BRAKE FLUID SWITCH	1
023	66.05018.00	TUBE	1
023	66.05018.00	TUBE	1
024	66.05019.00	TUBE	1
024	66.05019.00	TUBE	1
025	64.05112.00	MASTER CYLINDER	1
025	64.05112.00	MASTER CYLINDER	1
026	15.07780.00	SCREW DIN910*	1
026	15.07780.00	SCREW DIN910*	1
027	830.01806.00	CLAMP LOOP	2
027	830.01806.00	CLAMP LOOP	2
028	66.05107.00	SUPPORT	4
028	66.05107.00	SUPPORT	4
029	948.01208.00	FLANGE	2

029	948.01208.00	FLANGE	2
030	469.15009.00	PLASTIC HOSE 6X9	1
030	469.15009.00	PLASTIC HOSE 6X9	1
031	64.05110.00	BRAKES FLUID TANK	1
031	64.05110.00	BRAKES FLUID TANK	1
032	101.06000.66	WASHER DIN125 D6	2
032	101.06000.66	WASHER DIN125 D6	2
033	104.06000.00	WASHER DIN7980 D6	2
033	104.06000.00	WASHER DIN7980 D6	2
034	601.06015.86	SCREW DIN912	2
034	601.06015.86	SCREW DIN912	2

05. BRAKE ACTIVATION TUBES

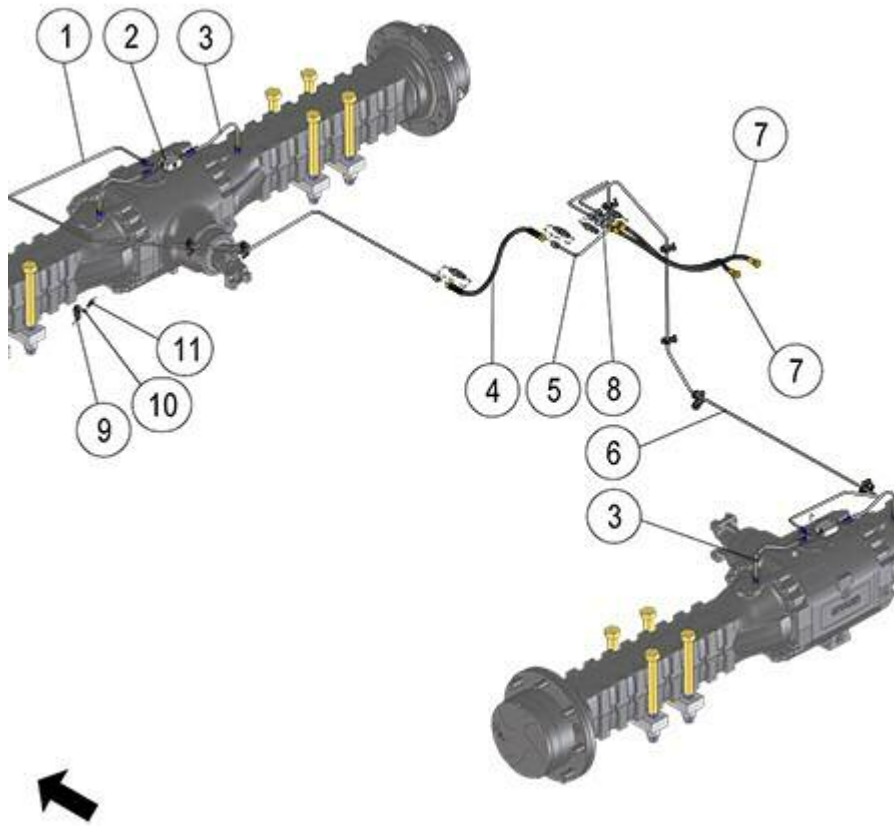


FIGURA	REFERENCIA	DENOMINACIÓN	CANTIDAD
001	66.05016.00	METAL TUBE BRAKE	1
001	66.05016.00	METAL TUBE BRAKE	1
002	64.05129.00	RACOR H/H/H M12/M12/M12	2
002	64.05129.00	RACOR H/H/H M12/M12/M12	2
003	64.05128.00	HYDRAULIC STEEL PIPE, BUNDY 4 200X100	4
003	64.05128.00	HYDRAULIC STEEL PIPE, BUNDY 4 200X100	4
004	64.05119.00	HOSE, FLEXIBLE DR7 408	1
004	64.05119.00	HOSE, FLEXIBLE DR7 408	1
005	66.05014.00	TUBE BUNDY4 183X161X158	1
005	66.05014.00	TUBE BUNDY4 183X161X158	1
006	66.05015.00	TUBE BUNDY4 953X631X332	1
006	66.05015.00	TUBE BUNDY4 953X631X332	1
007	66.05020.00	TUBE DR7	2
007	66.05020.00	TUBE DR7	2
008	101.12000.66	WASHER DIN125 D12	4
008	101.12000.66	WASHER DIN125 D12	4
009	830.01006.00	CLAMP LOOP D10x6	10
009	830.01006.00	CLAMP LOOP D10x6	10

010	104.06000.00	WASHER DIN7980 D6	10
010	104.06000.00	WASHER DIN7980 D6	10
011	603.06020.86	SCREW DIN933 M6x20	3
011	603.06020.86	SCREW DIN933 M6x20	3

05. BRAKE ACTIVATION

TUBES

BASTIDOR: 88912

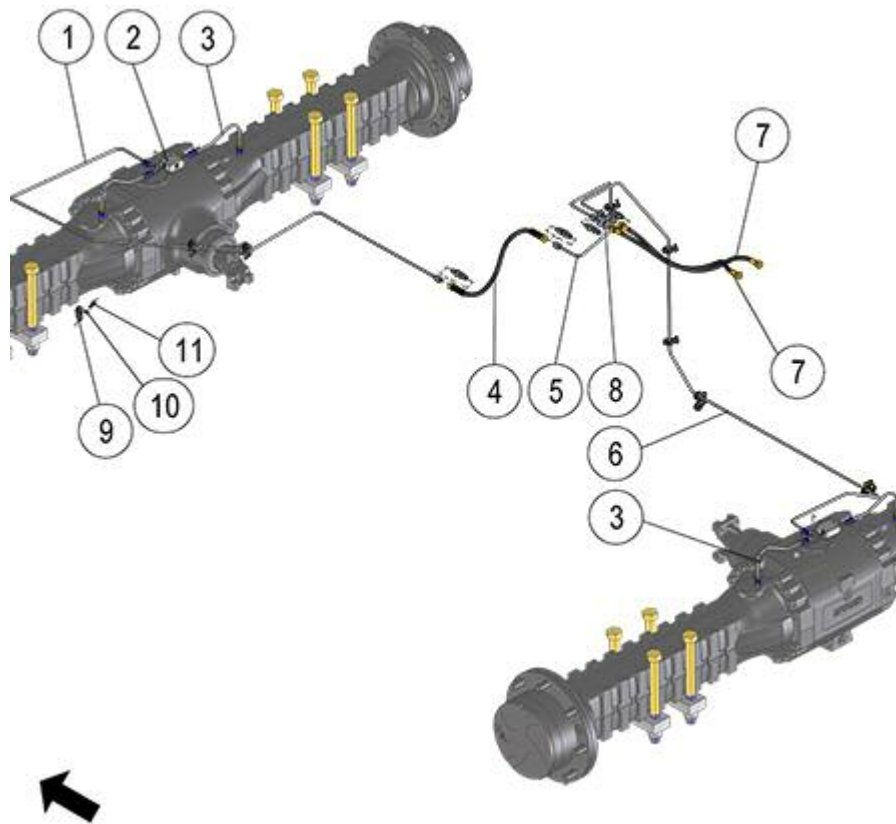


FIGURA	REFERENCIA	DENOMINACIÓN	CANTIDAD
001	66.05016.00	METAL TUBE BRAKE	1
001	66.05016.00	METAL TUBE BRAKE	1
002	64.05129.00	RACOR H/H/H M12/M12/M12	2
002	64.05129.00	RACOR H/H/H M12/M12/M12	2
003	64.05128.00	HYDRAULIC STEEL PIPE, BUNDY 4 200X100	4
003	64.05128.00	HYDRAULIC STEEL PIPE, BUNDY 4 200X100	4
004	66.05119.00	TUBE	1
005	66.05014.00	TUBE BUNDY4 183X161X158	1
005	66.05014.00	TUBE BUNDY4 183X161X158	1
006	66.05015.00	TUBE BUNDY4 953X631X332	1
006	66.05015.00	TUBE BUNDY4 953X631X332	1
007	66.05020.00	TUBE DR7	2
007	66.05020.00	TUBE DR7	2
008	101.12000.66	WASHER DIN125 D12	4
008	101.12000.66	WASHER DIN125 D12	4
009	830.01006.00	CLAMP LOOP D10x6	10
009	830.01006.00	CLAMP LOOP D10x6	10
010	104.06000.00	WASHER DIN7980 D6	10

010	104.06000.00	WASHER DIN7980 D6	10
011	603.06020.86	SCREW DIN933 M6x20	3
011	603.06020.86	SCREW DIN933 M6x20	3

OBSERVACIONES

PM.00130

05. ACTUATORS

ACCELERATOR

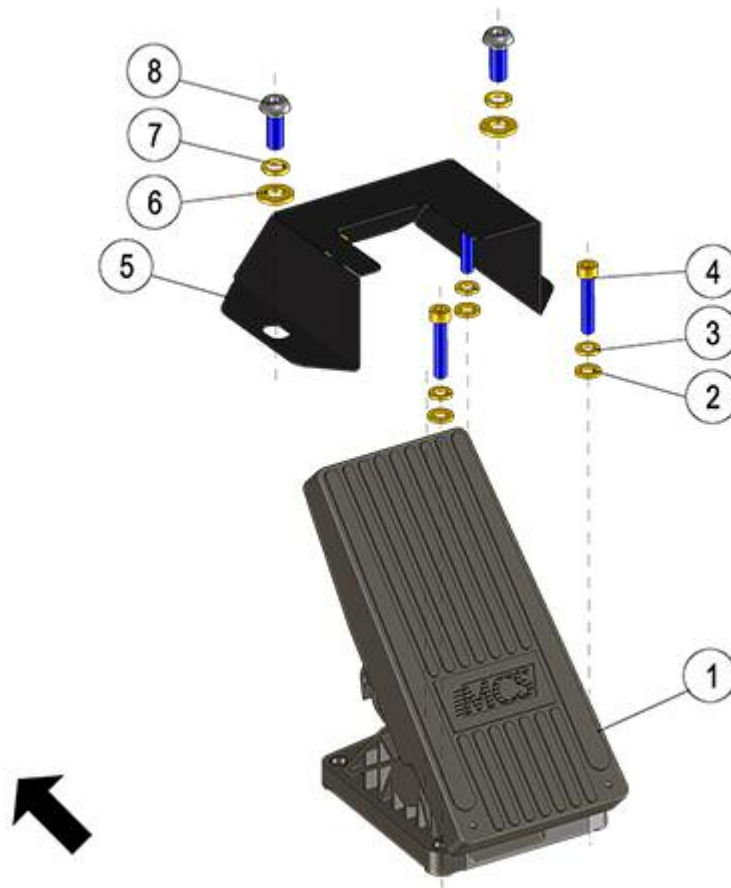


FIGURA	REFERENCIA	DENOMINACIÓN	CANTIDAD
001	66.11145.00	GAS PEDAL DEUTZ	1
001	66.11145.00	GAS PEDAL DEUTZ	1
002	101.06000.66	WASHER DIN125 D6	4
002	101.06000.66	WASHER DIN125 D6	4
003	104.06000.00	WASHER DIN7980 D6	4
003	104.06000.00	WASHER DIN7980 D6	4
004	601.06030.86	HEXAGON SOCKET HEAD SCREW DIN912 M6x30	4
004	601.06030.86	HEXAGON SOCKET HEAD SCREW DIN912 M6x30	4
005	66.11111.00	PEDAL COVER CONNECTOR (9005)	1
005	66.11111.00	PEDAL COVER CONNECTOR (9005)	1
006	101.08000.66	WASHER DIN125 D8	2
006	101.08000.66	WASHER DIN125 D8	2
007	104.08000.00	WASHER DIN7980 D8	2
007	104.08000.00	WASHER DIN7980 D8	2
008	630.08020.96	SCREW ISO7380	2
008	630.08020.96	SCREW ISO7380	2

06. STEERING

STEERING (PART 1)

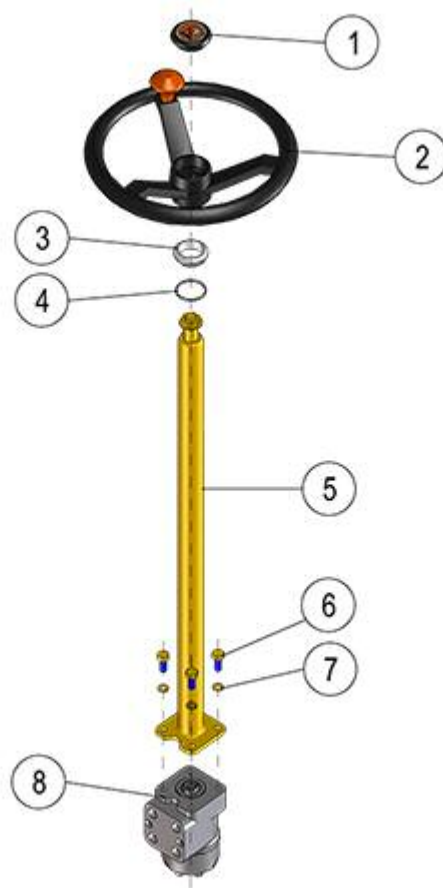


FIGURA	REFERENCIA	DENOMINACIÓN	CANTIDAD
001	00.00626.05	TRIM	1
002	15.01016.01	STEERING WHEEL D21-315 WITH POMMEL	1
003	15.20727.01	NYLON BEARING 17X38X52	1
004	201.03953.50	O-RING DIN3770 D39.5XD3	1
005	55.10680.00	STEERING COLUMM	1
006	603.10025.86	SCREW DIN933 M10x25	4
007	104.10000.00	WASHER DIN7980 D10	4
008	65.06211.01	HYDROSTATIC STEERING	1

06. STEERING

STEERING (PART 2)

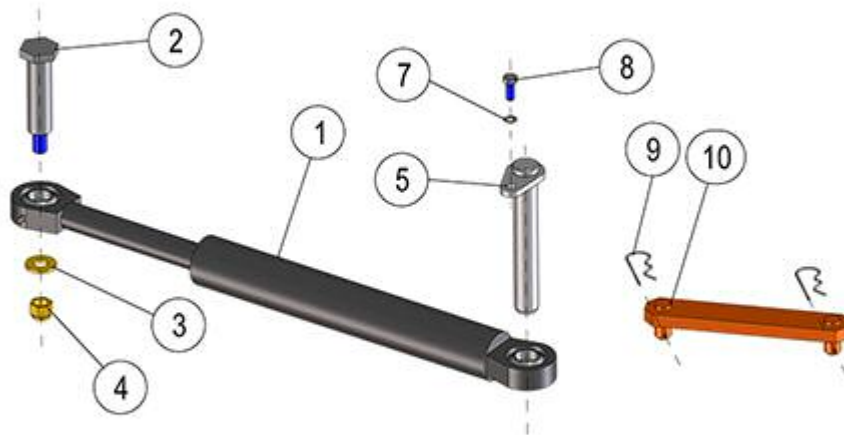


FIGURA	REFERENCIA	DENOMINACIÓN	CANTIDAD
001	63.06113.00	cylinder	1
002	64.04135.00	AXLE	1
003	15.00561.00	WASHER DIN125 20.5x45x5	1
004	711.20000.66	NUT	1
005	66.06200.00	EJE CIL	1
007	104.12000.00	WASHER DIN7980 D12	1
008	603.12030.86	SCREW DIN933 M12x30	1
009	15.00836.02	PIN	2
010	64.06223.00	CON ROD 50x55x300	1

07. WHEELS

WHEELS

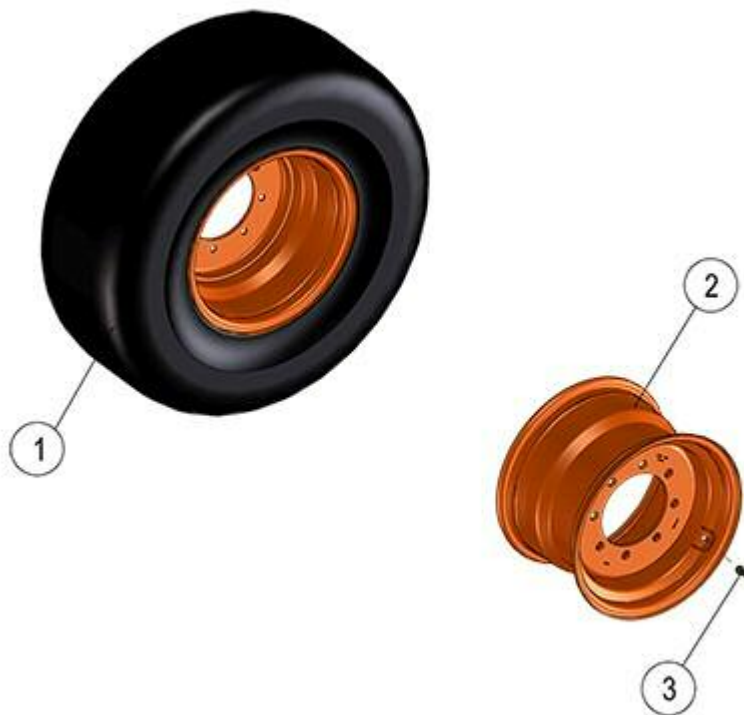


FIGURA	REFERENCIA	DENOMINACIÓN	CANTIDAD
001A	66.07100DE00	RIGHT WHEEL	2
001B	66.07100IZ00	LEFT WHEEL	2
002	66.07111.00	RIM	4
002	66.07111.00	RIM	4
003	66.07112.00	TUBELESS VALVE	4
003	66.07112.00	TUBELESS VALVE	4

08. BODYWORK SHEETS (1)

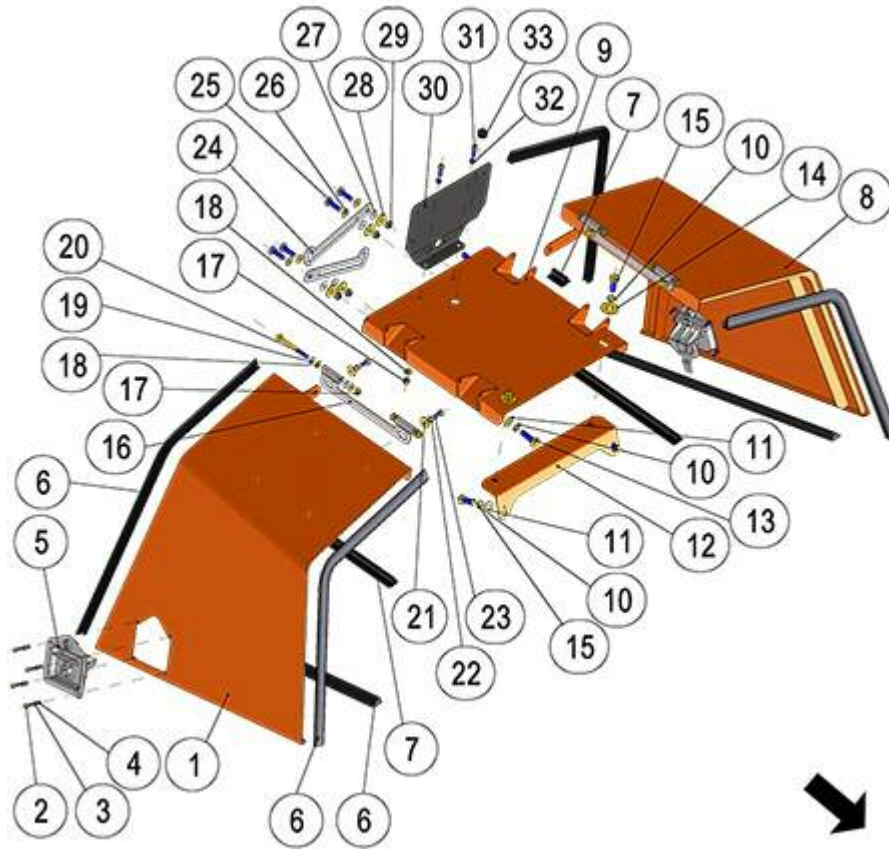


FIGURA	REFERENCIA	DENOMINACIÓN	CANTIDAD
001	66.08022.00	ENGINE COVER RIGHT 6TN.	1
001	66.08022.00	ENGINE COVER RIGHT 6TN.	1
002	630.05020.96	SCREW ISO7380	8
002	630.05020.96	SCREW ISO7380	8
003	104.05000.00	WASHER DIN7980 D5	8
003	104.05000.00	WASHER DIN7980 D5	8
004	701.05000.66	NUT DIN934 M5x0.8	8
004	701.05000.66	NUT DIN934 M5x0.8	8
005	64.08119.00	CLOSING WITH KEY	2
005	64.08119.00	CLOSING WITH KEY	2
006	472.00410.00	RUBBER PROFILE 22X22	1
006	472.00410.00	RUBBER PROFILE 22X22	1
007	472.00411.00	RUBBER PROFILE MAT.	1
007	472.00411.00	RUBBER PROFILE MAT.	1
008	66.08024.00	ENGINE COVER LEFT 6TN.	1
008	66.08024.00	ENGINE COVER LEFT 6TN.	1
009	66.08020.00	ENGINE COVER CENTRAL	1
009	66.08020.00	ENGINE COVER CENTRAL	1

010	104.12000.00	WASHER DIN7980 D12	6
010	104.12000.00	WASHER DIN7980 D12	6
011	101.12000.66	WASHER DIN125 D12	4
011	101.12000.66	WASHER DIN125 D12	4
012	66.08141.00	SUPPORT ENGINE COVER	1
012	66.08141.00	SUPPORT ENGINE COVER	1
013	603.12035.86	SCREW DIN933	2
013	603.12035.86	SCREW DIN933	2
014	112.12000.66	WASHER DIN9021 D 12X36	2
014	112.12000.66	WASHER DIN9021 D 12X36	2
015	603.12030.86	SCREW DIN933 M12x30	4
015	603.12030.86	SCREW DIN933 M12x30	4
016	66.08140.00	HINGE 264.5X32X16	2
016	66.08140.00	HINGE 264.5X32X16	2
017	711.08000.66	NUT DIN982 M8	6
017	711.08000.66	NUT DIN982 M8	6
018	101.08000.66	WASHER DIN125 D8	10
018	101.08000.66	WASHER DIN125 D8	10

08. BODYWORK SHEETS (1)

FIGURA	REFERENCIA	DENOMINACIÓN	CANTIDAD
019	116.08000.00	WASHER DIN125 A D8	8
019	116.08000.00	WASHER DIN125 A D8	8
020	604.08080.86	SCREW DIN931	4
020	604.08080.86	SCREW DIN931	4
021	112.08000.66	WASHER DIN9021 D8	4
021	112.08000.66	WASHER DIN9021 D8	4
022	104.08000.00	WASHER DIN7980 D8	4
022	104.08000.00	WASHER DIN7980 D8	4
023	603.08020.86	SCREW DIN933 M8x20	4
023	603.08020.86	SCREW DIN933 M8x20	4
024	66.08027.00	ENGINE COVER GUIDE	2
024	66.08027.00	ENGINE COVER GUIDE	2
025	603.10030.86	SCREW DIN933	4
025	603.10030.86	SCREW DIN933	4
026	101.10000.66	WASHER DIN125 D10	4
026	101.10000.66	WASHER DIN125 D10	4
027	116.01000.00	WASHER DIN 125 A D10	4
027	116.01000.00	WASHER DIN 125 A D10	4
028	112.10000.66	WASHER DIN9021 D10	4

028	112.10000.66	WASHER DIN9021 D10	4
029	711.10000.66	SHOCK ABSORBER	4
029	711.10000.66	SHOCK ABSORBER	4
030	66.13300.00	NUMBER PLATE SUPPORT 250x196x30x1.5 (7022)	1
030	66.13300.00	NUMBER PLATE SUPPORT 250x196x30x1.5 (7022)	1
031	630.08025.96	SCREW ISO7380	2
031	630.08025.96	SCREW ISO7380	2
032	02.32008.00	PLASTIC PLUG	2
032	02.32008.00	PLASTIC PLUG	2
033	02.32022.00	CAP	1
033	02.32022.00	CAP	1

08. BODYWORK SHEETS (2)

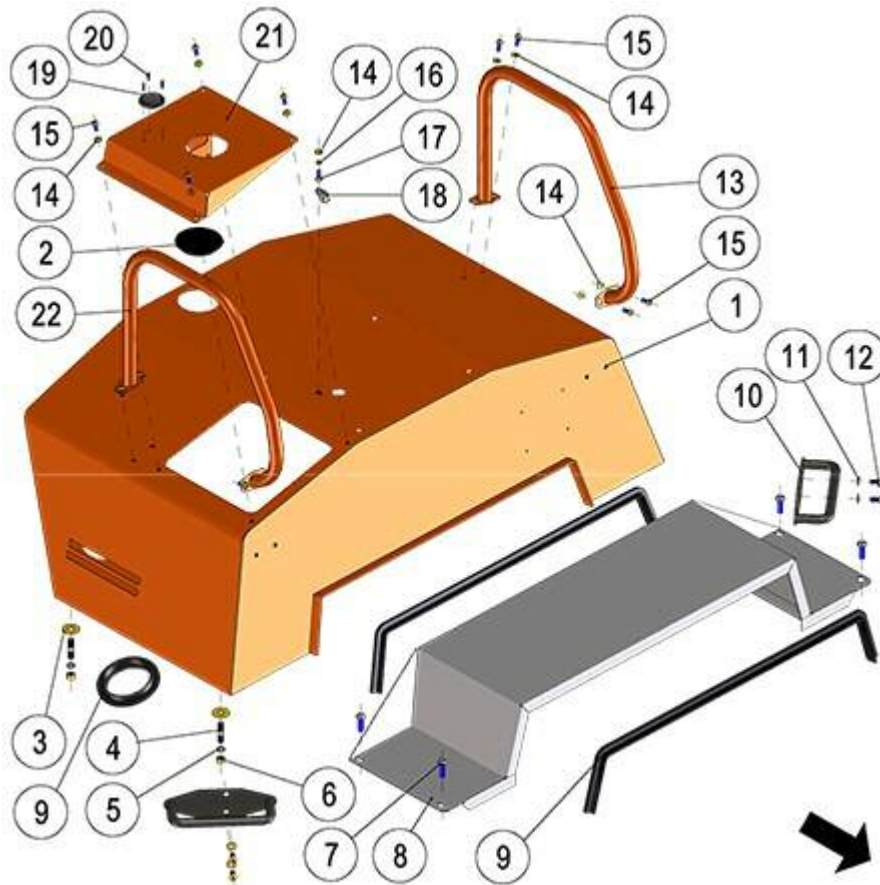


FIGURA	REFERENCIA	DENOMINACIÓN	CANTIDAD
001	66.08030.01	COVER	1
001	66.08030.01	COVER	1
002	02.00757.01	CAP	1
002	02.00757.01	CAP	1
003	112.12000.66	WASHER DIN9021 D 12X36	4
003	112.12000.66	WASHER DIN9021 D 12X36	4
004	15.00357.00	STUD DIN939 M12x1,75	4
004	15.00357.00	STUD DIN939 M12x1,75	4
005	104.12000.00	WASHER DIN7980 D12	4
005	104.12000.00	WASHER DIN7980 D12	4
006	701.12000.66	NUT DIN934 M12x1.75	4
006	701.12000.66	NUT DIN934 M12x1.75	4
007	630.12025.87	SCREW ISO7380 M12X25	4
007	630.12025.87	SCREW ISO7380 M12X25	4
008	66.08040.00	FLOOR COVER	1
008	66.08040.00	FLOOR COVER	1
009	472.00411.00	RUBBER PROFILE MAT.	1
009	472.00411.00	RUBBER PROFILE MAT.	1

010	66.08143.00	HANDLE	2
010	66.08143.00	HANDLE	2
011	101.10000.66	WASHER DIN125 D10	4
011	101.10000.66	WASHER DIN125 D10	4
012	630.10020.96		4
012	630.10020.96		4
013	66.08138.00	LEFT SAFETY BAR	1
013	66.08138.00	LEFT SAFETY BAR	1
014	101.08000.66	WASHER DIN125 D8	13
014	101.08000.66	WASHER DIN125 D8	13
015	630.08020.96	SCREW ISO7380	12
015	630.08020.96	SCREW ISO7380	12
016	104.08000.00	WASHER DIN7980 D8	1
016	104.08000.00	WASHER DIN7980 D8	1
017	603.08020.86	SCREW DIN933 M8x20	1
017	603.08020.86	SCREW DIN933 M8x20	1
018	830.01408.00	LOOP CLAMP D14x8	1
018	830.01408.00	LOOP CLAMP D14x8	1

08. BODYWORK SHEETS (2)

FIGURA	REFERENCIA	DENOMINACIÓN	CANTIDAD
019	32.08164.00	MACHINE LEVELING INDICATOR	1
019	32.08164.00	MACHINE LEVELING INDICATOR	1
020	630.04015.97	SCREW M4x15 ISO7380	3
020	630.04015.97	SCREW M4x15 ISO7380	3
021	66.08133.00	CONTROL VALVE ATTACHMENT SUPPORT	1
021	66.08133.00	CONTROL VALVE ATTACHMENT SUPPORT	1
022	66.08137.00	RIGHT SAFETY BAR	1
022	66.08137.00	RIGHT SAFETY BAR	1

08. BODYWORK PROTECTORS

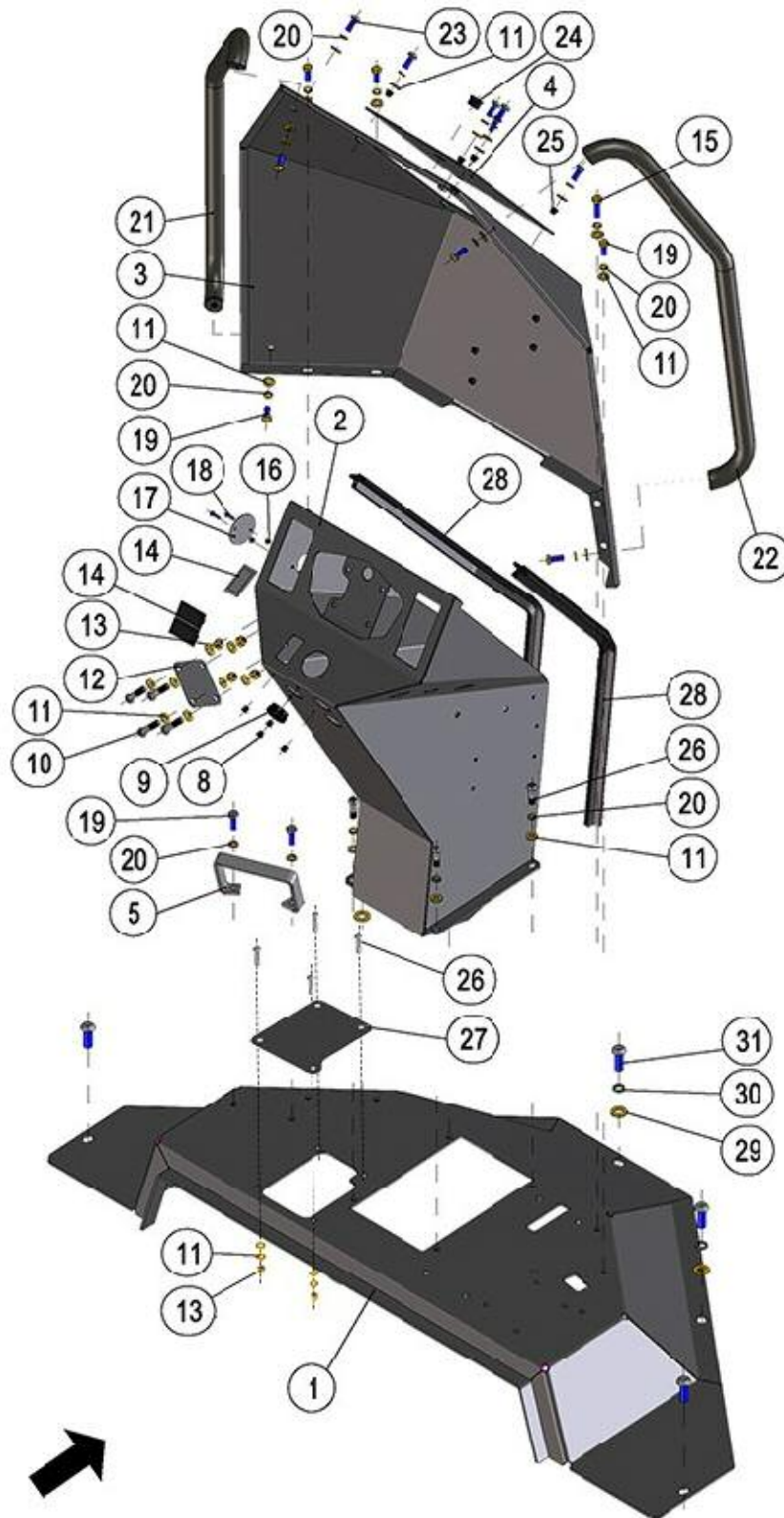


FIGURA	REFERENCIA	DENOMINACIÓN	CANTIDAD
001	66.08051.00	TAPA SOPORTE TABLIER	1
002	66.08052.01	FIXING SUPPORT	1
003	66.08128.00	CONTROL PANEL PROTECTOR	1

004	66.08125.00	ACCES COVER	1
005	70.08039.00	SUPPORT	1
008	48.08229.00	CAP PLASTIC	8
009	13.08035.00	COUNTERWEIGHT CAP	1
010	630.08035.96	TORNILLO ISO7380	4
011	101.08000.66	WASHER DIN125 D8	26
012	66.08053.00	ACOUSTIC SIGNAL COVER FVS	1
013	711.08000.66	NUT DIN982 M8	4
014	12.11024.00	SWITCH CAP	3
015	603.08030.86	SCREW DIN933 M8X30	1
016	701.04000.66	NUT DIN934 M4	2
017	66.08057.00	ACOUSTIC SIGNAL BUTTON COVER FVS	1
018	630.04015.97	SCREW M4x15 ISO7380	2
019	603.08020.86	SCREW DIN933 M8x20	9
020	104.08000.00	WASHER DIN7980 D8	24
021	66.08055.00	HANDLER TABLIER LEFT	1
022	66.08054.00	HANDLER TABLIER RIGHT	1
023	630.08020.96	SCREW ISO7380	6
024	02.32022.00	CAP	2
025	02.32008.00	PLASTIC PLUG	4
026	630.08030.96	BOLT ISO7380 M8x30	4
027	66.08117.00	COVER	1
028	472.00411.00	RUBBER PROFILE MAT.	1
029	101.12000.66	WASHER DIN125 D12	3
030	104.12000.00	WASHER DIN7980 D12	3
031	630.12025.87	SCREW ISO7380 M12X25	5

08. BODYWORK

PROTECTORS

BASTIDOR: 86806

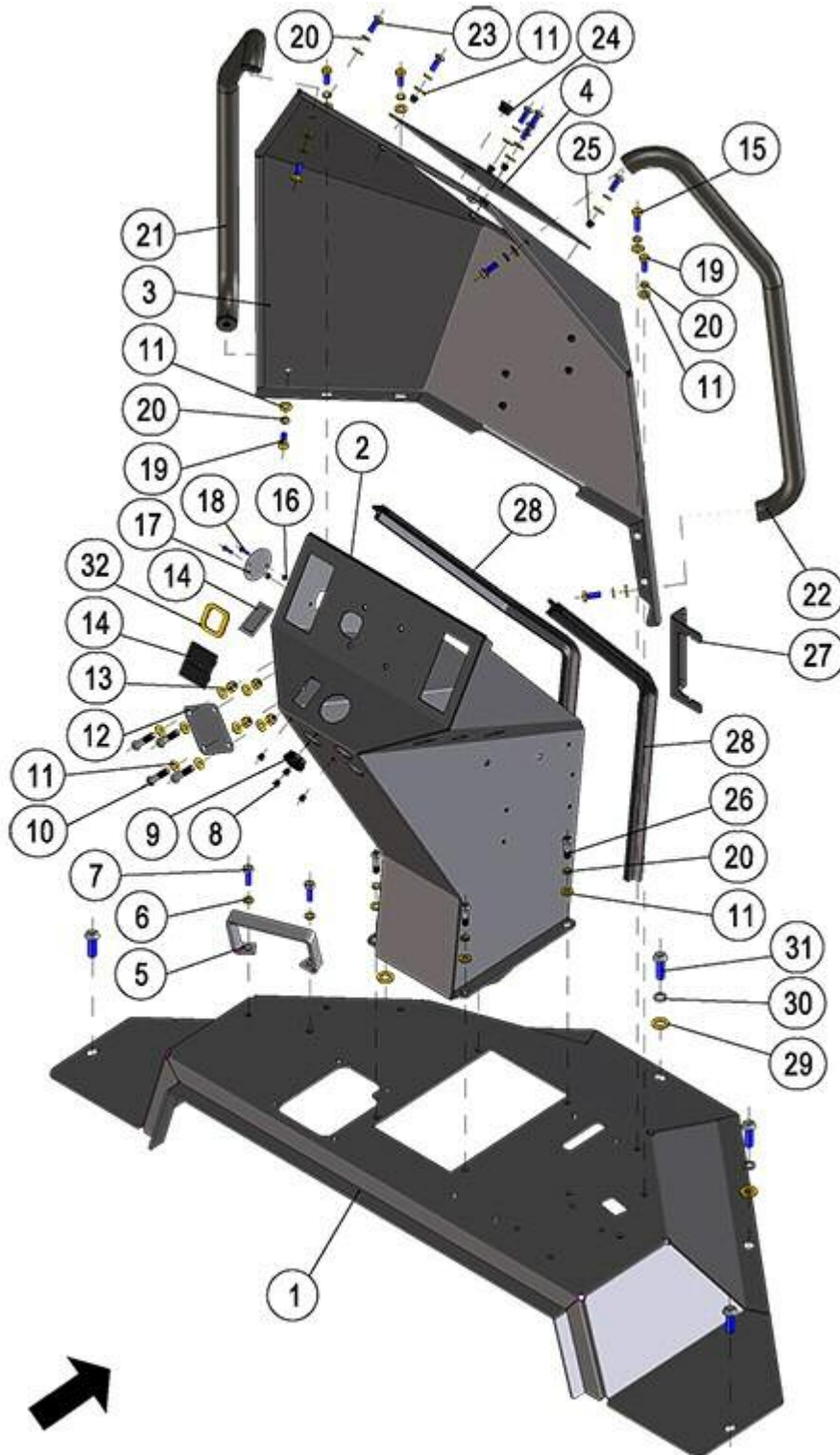


FIGURA	REFERENCIA	DENOMINACIÓN	CANTIDAD
001	66.08051.00	TAPA SOPORTE TABLIER	1
002	66.08052.02	FIXING SUPPORT	1
003	66.08128.00	CONTROL PANEL PROTECTOR	1
004	66.08125.00	ACCES COVER	1

005	70.08039.00	SUPPORT	1
008	48.08229.00	CAP PLASTIC	8
009	13.08035.00	COUNTERWEIGHT CAP	1
010	630.08035.96	TORNILLO ISO7380	4
011	101.08000.66	WASHER DIN125 D8	26
012	66.08053.00	ACOUSTIC SIGNAL COVER FVS	1
013	711.08000.66	NUT DIN982 M8	4
014	12.11024.00	SWITCH CAP	3
015	603.08030.86	SCREW DIN933 M8X30	1
016	701.04000.66	NUT DIN934 M4	2
017	66.08057.00	ACOUSTIC SIGNAL BUTTON COVER FVS	1
018	630.04015.97	SCREW M4x15 ISO7380	2
019	603.08020.86	SCREW DIN933 M8x20	9
020	104.08000.00	WASHER DIN7980 D8	24
021	66.08055.00	HANDLER TABLIER LEFT	1
022	66.08054.00	HANDLER TABLIER RIGHT	1
023	630.08020.96	SCREW ISO7380	6
024	02.32022.00	CAP	2
025	02.32008.00	PLASTIC PLUG	4
026	630.08030.96	BOLT ISO7380 M8x30	4
027	66.08117.00	COVER	1
028	472.00411.00	RUBBER PROFILE MAT.	1
029	101.12000.66	WASHER DIN125 D12	3
030	104.12000.00	WASHER DIN7980 D12	3
031	630.12025.87	SCREW ISO7380 M12X25	5
032	66.11037.00	ADHESIVE FOAM SEALER	1

08. BODYWORK

ROPS ARCH

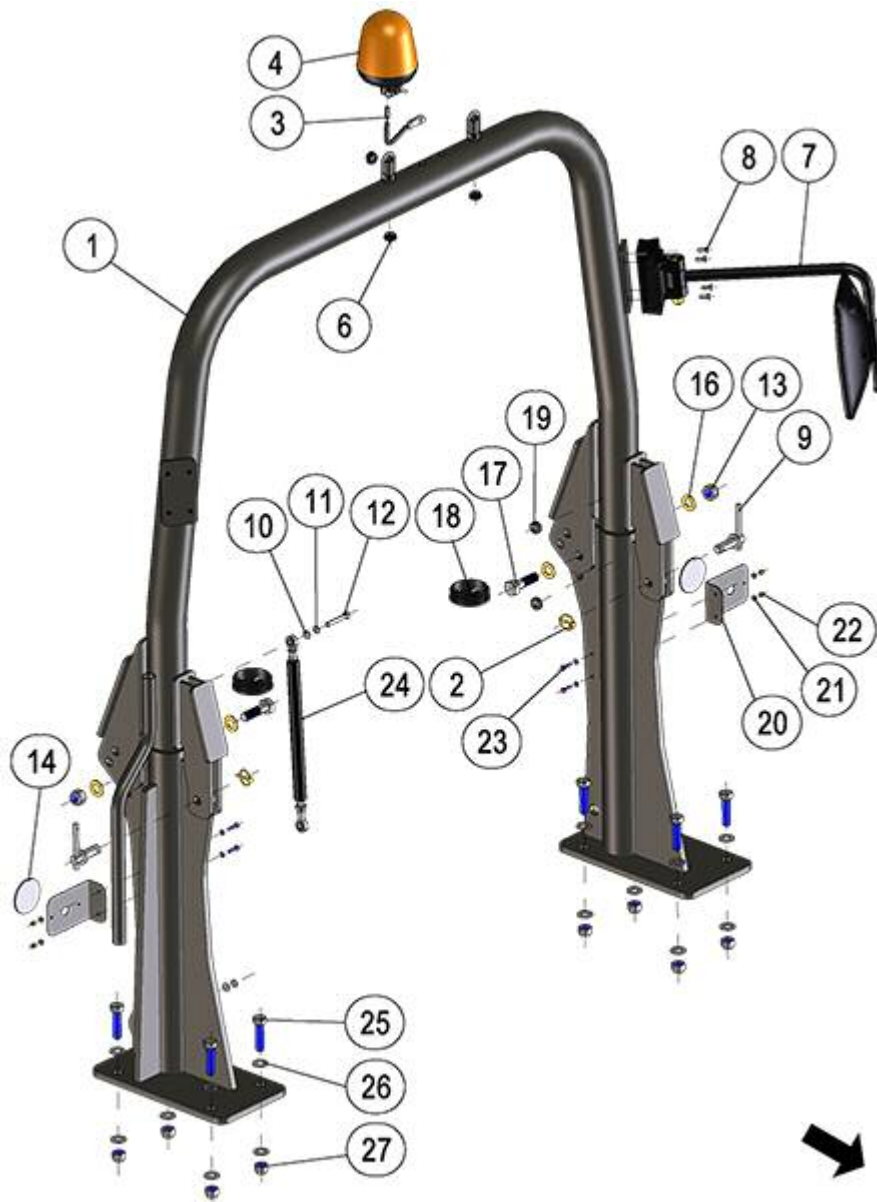


FIGURA	REFERENCIA	DENOMINACIÓN	CANTIDAD
001	66.08160.01	PROTECTOR	1
002	404.06036.00	PIN DIN11023	2
003	46.11154.00	ROTATIVE BEACON ELECTRICAL LENGHT	1
004	01.00912.00	BEACON	1
006	13.04026.00	CAP	3
007	66.08251.00	REAR-VIEW MIRROR	1
008	618.08020.86	SCREW DIN7991 M8x20	4
010	101.10000.66	WASHER DIN125 D10	2
011	105.10000.66	WASHER DIN7980 D10	2
012	603.10060.86	SCREW DIN933	2
014	10.11017.00	RED REFLECTOR	2
016	101.20000.66	WASHER DIN125	4

017	604.20070.86	BOLT DIN931 M20x70	2
018	64.08175.00	CAP. Ø90 - 465.604 - BLACK	2
019	43.07777.01	GROMMET 18X27X10	4
020	66.08161.00	FIXING SUPPORT	2
021	101.06000.66	WASHER DIN125 D6	8
022	711.06000.66	NUT DIN982 M6	4
023	603.06025.86	SCREW DIN933 M6x25	4
024	32.08026.00	SHOCK ABSORBER, L746xC290 2200 N	1
025	604.18070.86	SCREW DIN931	8
026	101.18000.66	BEARING DIN125 D18	16
027	711.18000.66	NUT DIN982 M18	8

08. BODYWORK SEAT



FIGURA	REFERENCIA	DENOMINACIÓN	CANTIDAD
001	66.08240.00	REDUCED HEIGHT SEAT WITH SENSOR	1
001.1	57.08003.02	SENSOR SEAT	1
002	66.08241.00	ORANGE SEAT BELT WITH SENSOR	1
003	630.08020.96	SCREW ISO7380	4
004	101.08000.66	WASHER DIN125 D8	4
005	711.08000.66	NUT DIN982 M8	4

08. BODYWORK COUNTERWEIGHT

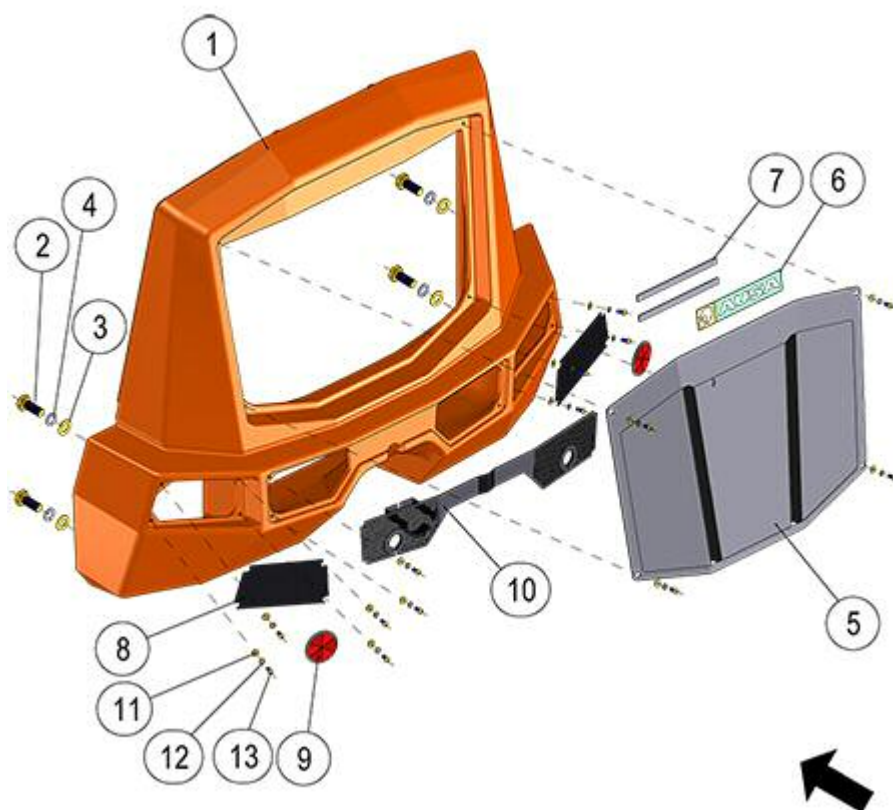


FIGURA	REFERENCIA	DENOMINACIÓN	CANTIDAD
001	66.08010.00	COUNTERWEIGHT	1
002	603.20050.86	SCREW DIN933	4
003	101.20000.66	WASHER DIN125	4
004	104.20000.00	CIR-CLIP EXT. DIN7980	4
005	66.08011.02	RADIATOR PROTECTOR	1
006	00.00015.00	AUSA CORP. STICKER	1
007	472.04015.00	RUBBER PROFILE MAT.	2
008	66.08013.00	PROTECTOR	2
009	10.11017.00	RED REFLECTOR	2
010	66.08012.00	PROTECTOR RADIATOR GRILL INF	1
011	101.08000.66	WASHER DIN125 D8	16
012	104.08000.00	WASHER DIN7980 D8	16
013	630.08015.96	SCREW ISO7380	16

09. MACHINE FUNCTIONS IMPLEMENTS

HOPPER

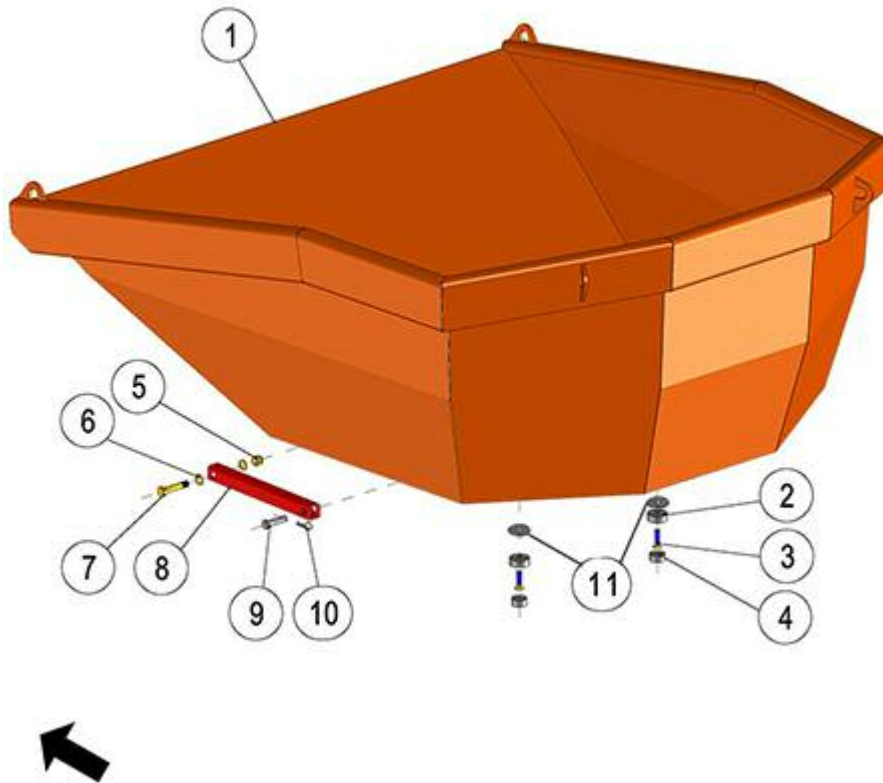


FIGURA	REFERENCIA	DENOMINACIÓN	CANTIDAD
001	66.09300.00	ROTATORY HOPPER 6TN.	1
001	66.09300.00	ROTATORY HOPPER 6TN.	1
002	20.03003.00	SHOCK ABSORVER SUPPORT	2
002	20.03003.00	SHOCK ABSORVER SUPPORT	2
003	618.16060.86	FLAT HEAD SOCKET CAP SCREW DIN7991 M16x60	2
003	618.16060.86	FLAT HEAD SOCKET CAP SCREW DIN7991 M16x60	2
004	20.03002.00	BUTT	2
004	20.03002.00	BUTT	2
005	711.20000.66	NUT	1
005	711.20000.66	NUT	1
006	101.20000.66	WASHER DIN125	2
006	101.20000.66	WASHER DIN125	2
007	604.20100.86	SCREW DIN931	1
007	604.20100.86	SCREW DIN931	1
008	64.09215.00	SUPPORT 50x50x5, HOSE GUIDE	1
008	64.09215.00	SUPPORT 50x50x5, HOSE GUIDE	1
009	64.09216.00	SHAFT CYL/CYL 30x20x90	1
009	64.09216.00	SHAFT CYL/CYL 30x20x90	1

010	15.00836.00	PIN DIN11024 R4	1
010	15.00836.00	PIN DIN11024 R4	1
011A	43.70833.00	WASHER 65X16X5	0
011B	63.04428.00		0

09. MACHINE FUNCTIONS IMPLEMENTS

ROTATING HOPPER SUPPORT

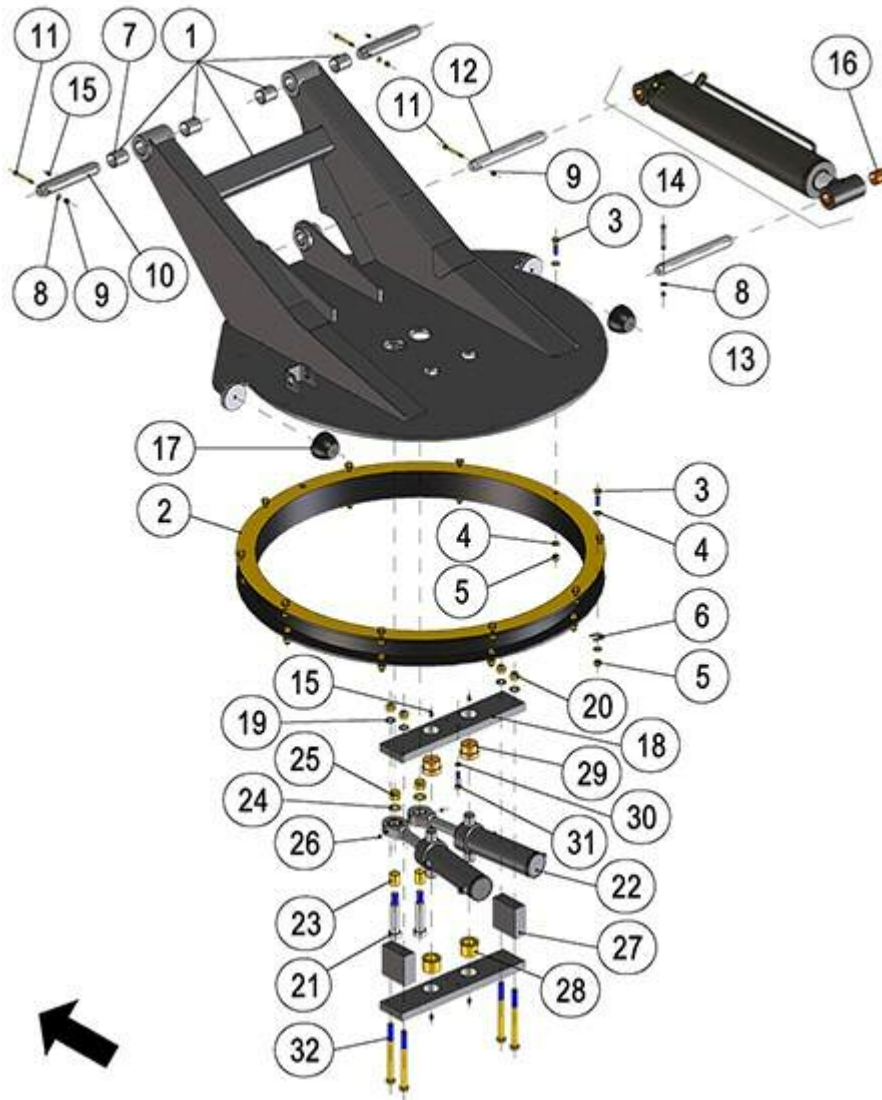


FIGURA	REFERENCIA	DENOMINACIÓN	CANTIDAD
001	66.04300.00	FRAME ROT. HOPPER 6TN.	1
001	66.04300.00	FRAME ROT. HOPPER 6TN.	1
002	64.09212.00	CYL. CROWN	1
002	64.09212.00	CYL. CROWN	1
003	604.12045.96	SCREW DIN931 M12x45	20
003	604.12045.96	SCREW DIN931 M12x45	20
004	101.12000.66	WASHER DIN125 D12	40
004	101.12000.66	WASHER DIN125 D12	40
005	711.12000.86	NUT DIN982 M12 C8	20
005	711.12000.86	NUT DIN982 M12 C8	20
006	64.09218.00	SUPPLY 0,5X14	1
006	64.09218.00	SUPPLY 0,5X14	1
007	949.04050.00	PLAIN BEARING 40X44X50 DIN 1494	4
007	949.04050.00	PLAIN BEARING 40X44X50 DIN 1494	4

008	101.08000.66	WASHER DIN125 D8	3
008	101.08000.66	WASHER DIN125 D8	3
009	711.08000.66	NUT DIN982 M8	3
009	711.08000.66	NUT DIN982 M8	3
010	64.09211.00	AXLE CYL/CYL	2
010	64.09211.00	AXLE CYL/CYL	2
011	603.08075.86	SCREW DIN933	4
011	603.08075.86	SCREW DIN933	4
012	64.09115.00	CYL/CYL AXLE 35X290	2
012	64.09115.00	CYL/CYL AXLE 35X290	2
014	64.09213.01	CYLINDER D/E 110X550	1
014	64.09213.01	CYLINDER D/E 110X550	1
015	901.08000.33	GREASER DIN71412-A M8x1,25	6
015	901.08000.33	GREASER DIN71412-A M8x1,25	6
016	949.03540.00	BUSHING 35x40 DIN 1494	4
016	949.03540.00	BUSHING 35x40 DIN 1494	4
017	64.08021.00	PROGRESSIVE SHOCK ABSORBER	2
017	64.08021.00	PROGRESSIVE SHOCK ABSORBER	2
018	64.04226.00	SUPPORT 25x100x490, FIXING	2
018	64.04226.00	SUPPORT 25x100x490, FIXING	2
019	101.16000.66	WASHER DIN125 D16	4
019	101.16000.66	WASHER DIN125 D16	4

09. MACHINE FUNCTIONS IMPLEMENTS

ROTATING HOPPER SUPPORT

FIGURA	REFERENCIA	DENOMINACIÓN	CANTIDAD
020	711.16000.86	NUT DIN982 M16 C8	4
020	711.16000.86	NUT DIN982 M16 C8	4
021	64.04225.00	SHAFT 36x20x140	2
021	64.04225.00	SHAFT 36x20x140	2
022	64.09214.03	CYLINDER D/E 70X152X351	2
022	64.09214.03	CYLINDER D/E 70X152X351	2
022.1	64.09214.10	NOT AVAILABLE	2
023	64.04230.00	BUSHING 2.5x25x30	2
023	64.04230.00	BUSHING 2.5x25x30	2
024	101.20000.66	WASHER DIN125	2
024	101.20000.66	WASHER DIN125	2
025	711.20000.66	NUT	3
025	711.20000.66	NUT	3
026	43.50129.00	CAP	2
026	43.50129.00	CAP	2

027	64.04227.00	SUPPORT 50x100x100, FIXING	2
027	64.04227.00	SUPPORT 50x100x100, FIXING	2
028	64.04228.00	BUSHING 9,5x32x51	2
028	64.04228.00	BUSHING 9,5x32x51	2
029	64.04229.01	BUSHING 32x51x56	2
029	64.04229.01	BUSHING 32x51x56	2
030	104.12000.00	WASHER DIN7980 D12	1
030	104.12000.00	WASHER DIN7980 D12	1
031	604.12045.86	SCREW DIN931	1
031	604.12045.86	SCREW DIN931	1
032	604.16190.97	SCREW DIN931 M16X190 12K	4
032	604.16190.97	SCREW DIN931 M16X190 12K	4

08. BODYWORK

JOYSTICK LEVER

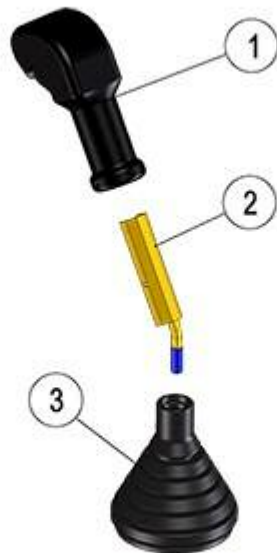


FIGURA	REFERENCIA	DENOMINACIÓN	CANTIDAD
001	66.11108.01		1
001	66.11108.01		1
002	10.13154.02	AXIS CIL/ROS 180XD25XM10	1
002	10.13154.02	AXIS CIL/ROS 180XD25XM10	1
003	43.50349.00	DUST PROTECTOR	1
003	43.50349.00	DUST PROTECTOR	1

10. HYDRAULIC INSTALLATION PUMPS

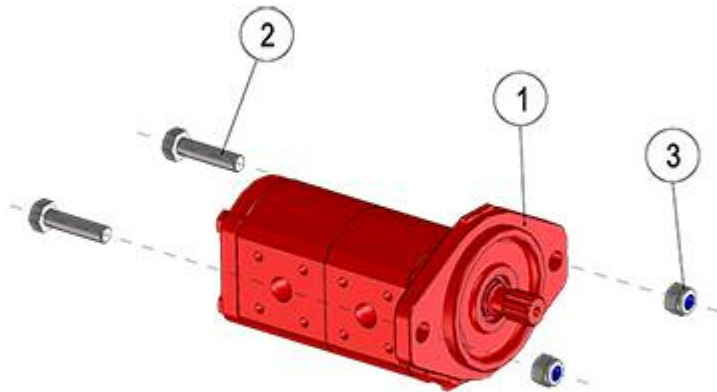


FIGURA	REFERENCIA	DENOMINACIÓN	CANTIDAD
001	66.10102.00	HYDR. PUMP 24 CC	1
001	66.10102.00	HYDR. PUMP 24 CC	1
002	603.12050.86	SCREW DIN933	2
002	603.12050.86	SCREW DIN933	2
003	711.12000.86	NUT DIN982 M12 C8	2
003	711.12000.86	NUT DIN982 M12 C8	2

10. HYDRAULIC INSTALLATION DISTRIBUTOR

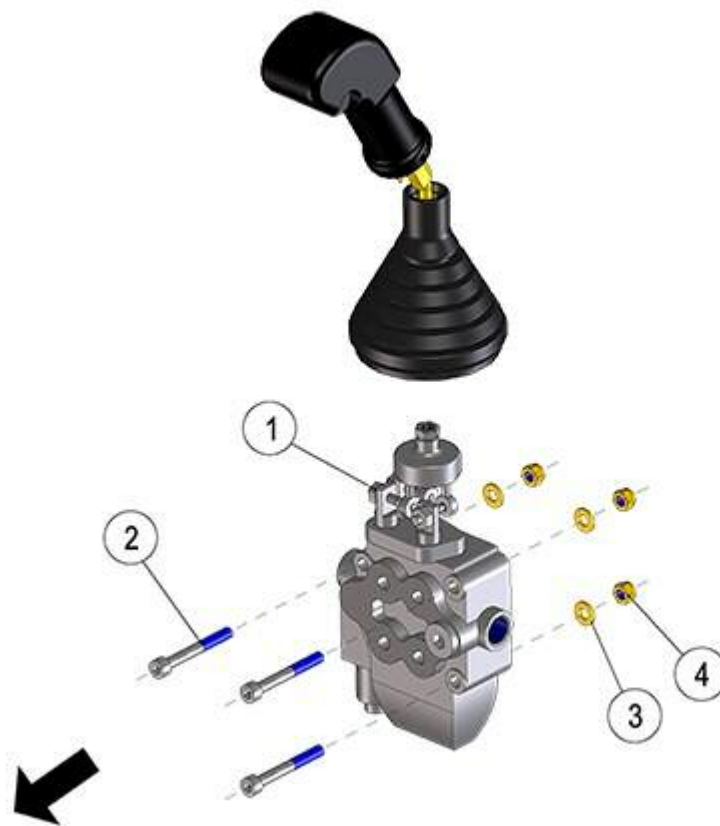


FIGURA	REFERENCIA	DENOMINACIÓN	CANTIDAD
001	66.10302.00	DISTRIBUTOR 2/E LIMITER	1
001	66.10302.00	DISTRIBUTOR 2/E LIMITER	1
002	601.08065.86	SCREW DIN912 M8x65	3
002	601.08065.86	SCREW DIN912 M8x65	3
003	101.08000.66	WASHER DIN125 D8	3
003	101.08000.66	WASHER DIN125 D8	3
004	711.08000.66	NUT DIN982 M8	3
004	711.08000.66	NUT DIN982 M8	3

10. HYDRAULIC INSTALLATION TANK

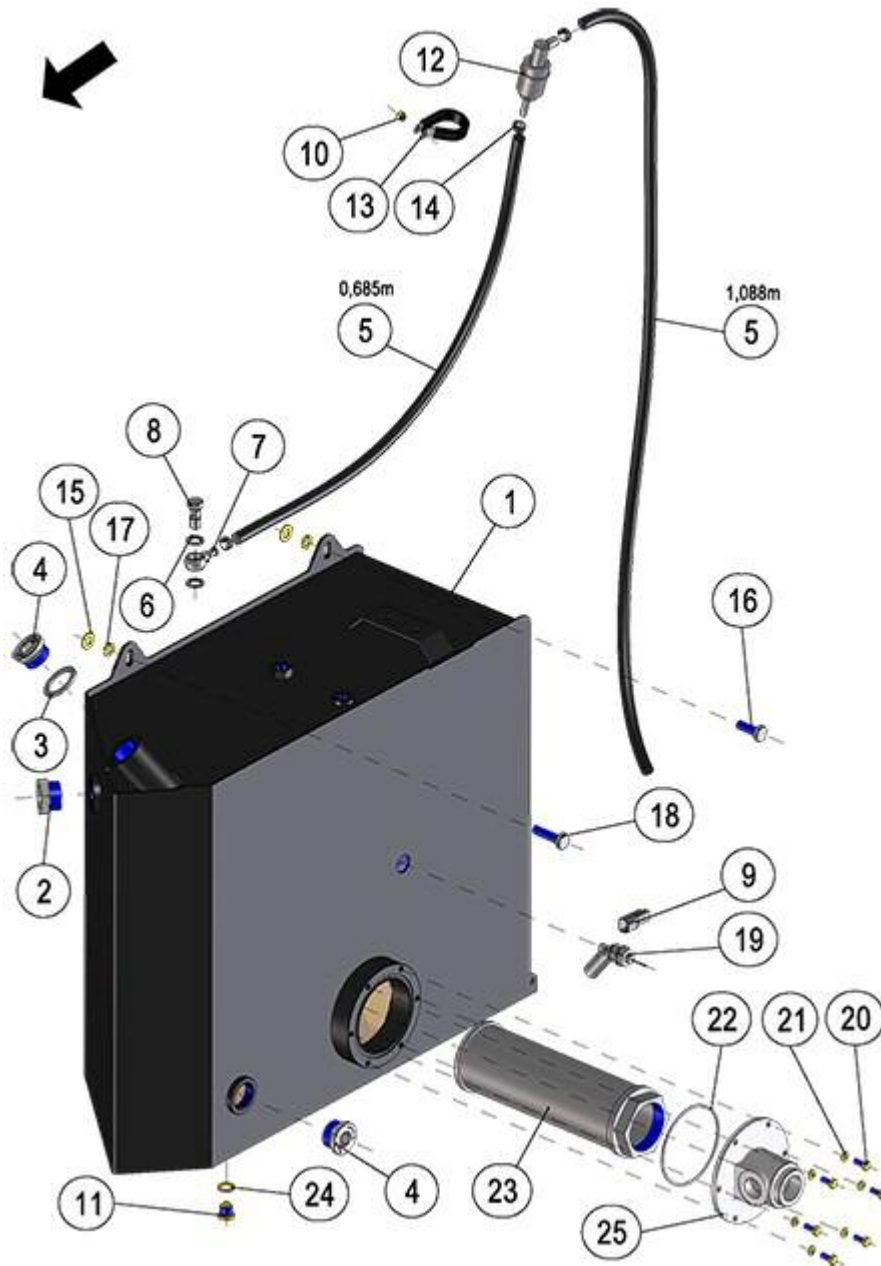


FIGURA	REFERENCIA	DENOMINACIÓN	CANTIDAD
001	66.10050.00	TANK 65 L OIL	1
002	30.10041.00	LEVEL VISUAL INDICATOR 1	1
003	43.13444.00	GASKET MET. BUNA	1
004	70.10246.01	PLUG 1 GAS TORQUE OF TIGHTENING	2
005	469.25015.00	TUBE MAT. B/P 10x15	1
006	28.00341.00	METALLIC GASKET BUNA D1/4	2
007	45.04106.00	NIPPLE O/TB	1
008	28.00340.00	SIMPLE SCREW FITTING 1/4 Gx26	1
009	46.11033.00		1
010	711.06000.66	NUT DIN982 M6	1

011	603.10025.86	SCREW DIN933 M10x25	2
012	45.01526.00	PREFILTER FUEL/HYDRAULIC	1
013	830.03006.00	CLAMP LOOP	1
014	948.01408.00	CLAMP Ø14	3
015	101.10000.66	WASHER DIN125 D10	2
016	603.10030.86	SCREW DIN933	1
017	104.10000.00	WASHER DIN7980 D10	2
018	603.10040.86	BOLT DIN933 M10x40	1
019	43.70261.00	OIL LEVEL INDICATOR BUOY	1
020	603.06015.86	SCREW DIN933 M6x15	6
021	104.06000.00	WASHER DIN7980 D6	6
022	201.95003.50	O-RING DIN3770	1
023	46.10047.00	OIL FILTER 180 L	1
024	112.10000.66	WASHER DIN9021 D10	2
025	43.70406.00	AD. FILTER SUPPORT	1

10. HYDRAULIC INSTALLATION

TANK

BASTIDOR: 90190

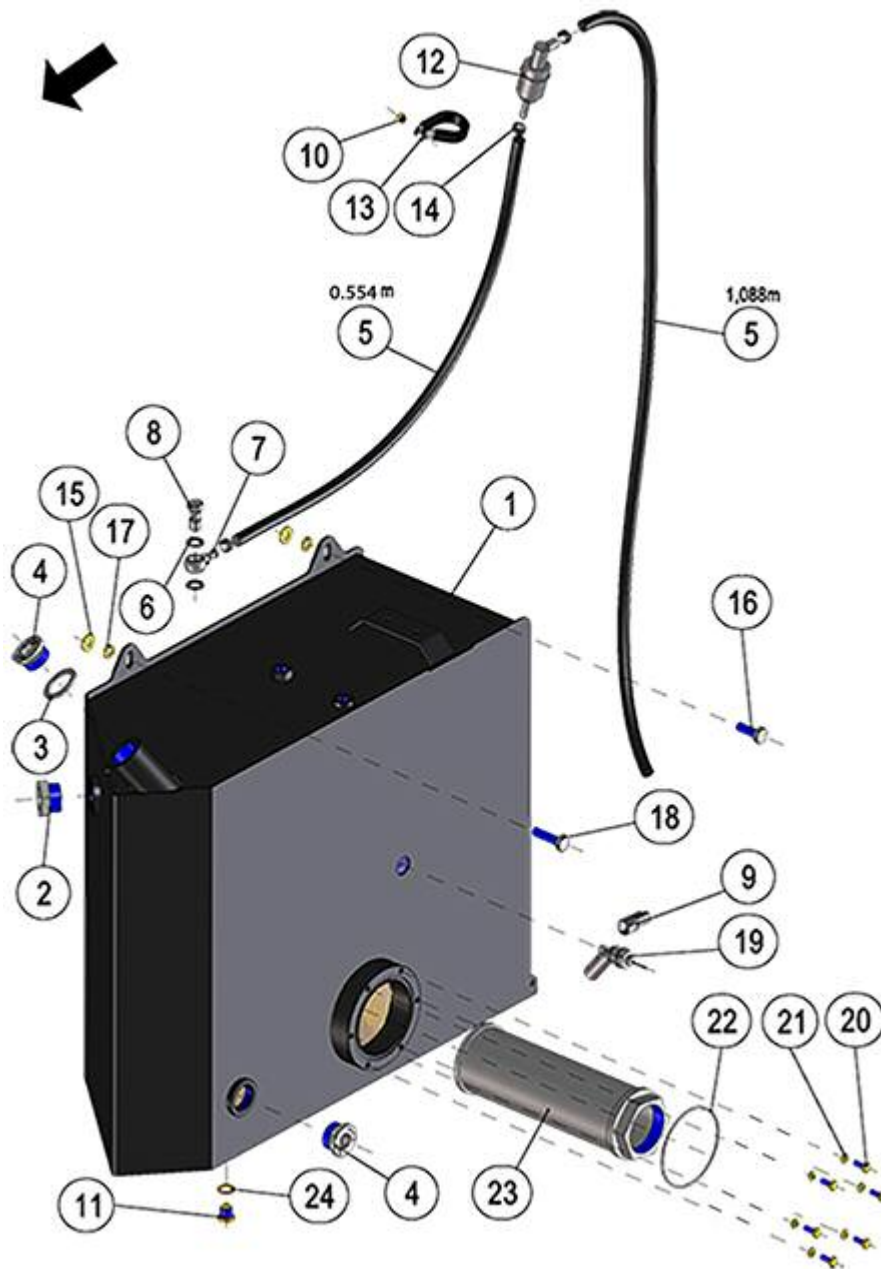


FIGURA	REFERENCIA	DENOMINACIÓN	CANTIDAD
001	66.10050.01	OIL TANK 65L	1
002	30.10041.00	LEVEL VISUAL INDICATOR 1	1
003	43.13444.00	GASKET MET. BUNA	1
004	70.10246.01	PLUG 1 GAS TORQUE OF TIGHTENING	1
005	469.25015.00	TUBE MAT. B/P 10x15	1
006	28.00341.00	METALLIC GASKET BUNA D1/4	2
007	45.04106.00	NIPPLE O/TB	1
008	28.00340.00	SIMPLE SCREW FITTING 1/4 Gx26	1
009	46.11033.00		1
010	711.06000.66	NUT DIN982 M6	1

011	603.10025.86	SCREW DIN933 M10x25	2
012	45.01526.00	PREFILTER FUEL/HYDRAULIC	1
013	830.03006.00	CLAMP LOOP	1
014	948.01408.00	CLAMP Ø14	3
015	101.10000.66	WASHER DIN125 D10	2
016	603.10030.86	SCREW DIN933	1
017	104.10000.00	WASHER DIN7980 D10	2
018	603.10040.86	BOLT DIN933 M10x40	1
019	43.70261.00	OIL LEVEL INDICATOR BUOY	1
020	603.06015.86	SCREW DIN933 M6x15	6
021	104.06000.00	WASHER DIN7980 D6	6
022	201.95003.50	O-RING DIN3770	1
023	46.10047.00	OIL FILTER 180 L	1
024	112.10000.66	WASHER DIN9021 D10	2

10. HYDRAULIC INSTALLATION OIL TANK

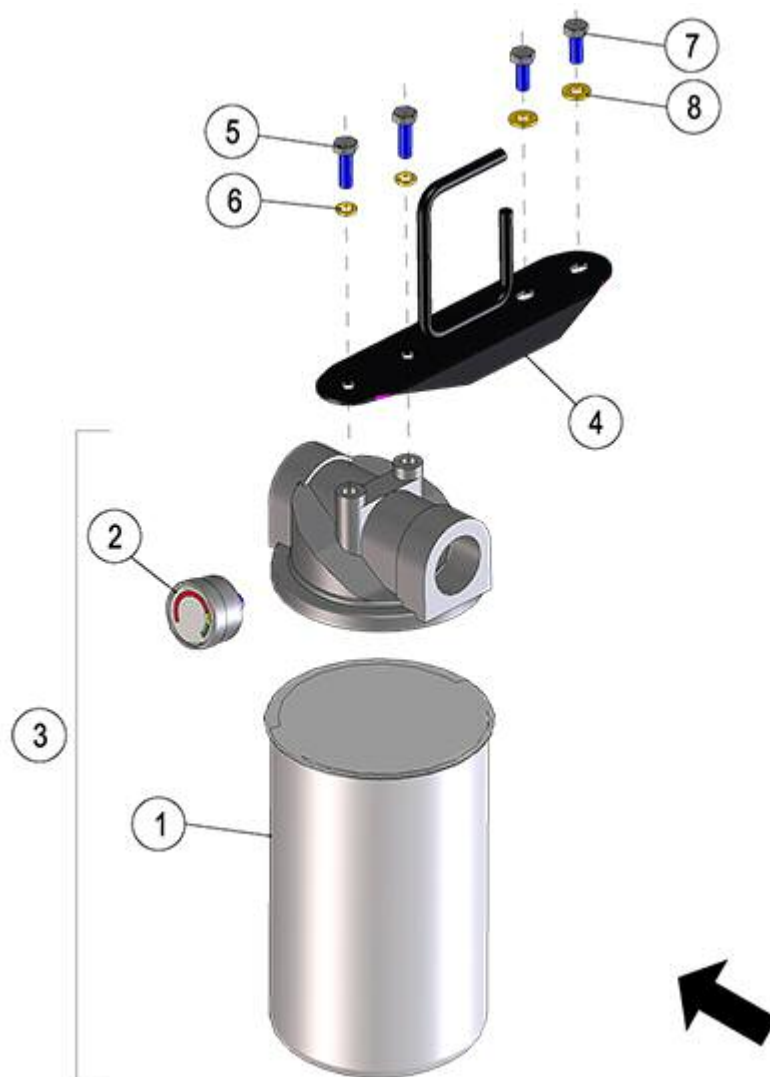


FIGURA	REFERENCIA	DENOMINACIÓN	CANTIDAD
001	60.20100.00	FILTER ELEMENT	1
002	60.20102.00	INDICATOR	1
003	60.20101.00	COMPLETE OIL FILTER	1
004	66.10482.00	FILTER SUPPORT	1
005	603.08025.86	SCREW DIN933 M8x25	2
006	104.08000.00	WASHER DIN7980 D8	2
007	603.08020.86	SCREW DIN933 M8x20	2
008	101.08000.66	WASHER DIN125 D8	2

10. HYDRAULIC INSTALLATION

STANDARD HYDRAULIC DIAGRAM

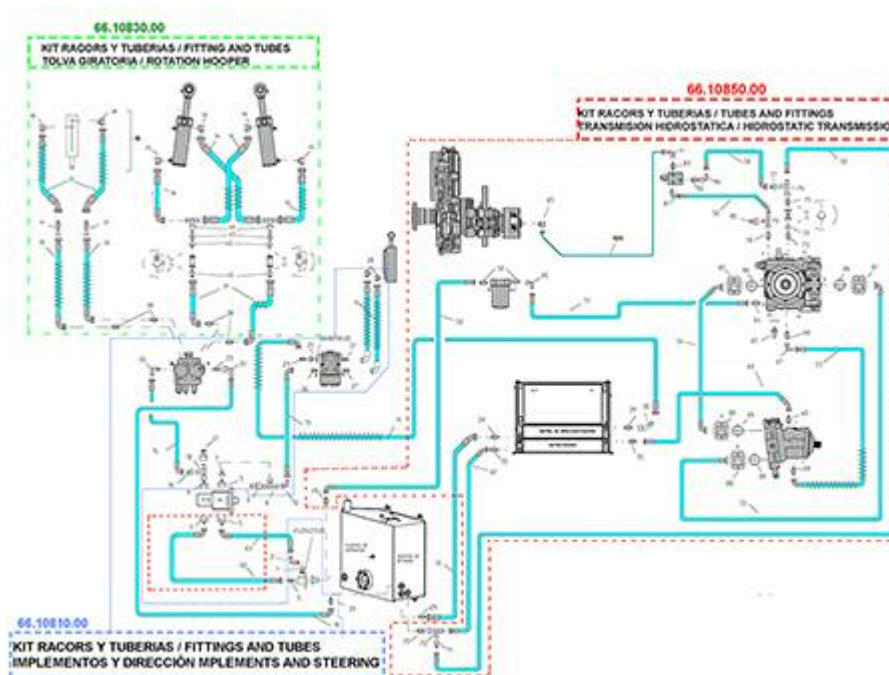


FIGURA	REFERENCIA	DENOMINACIÓN	CANTIDAD
001	66.10867.00	FITTING MB M42X2-MM M45X2	1
001	43.60233.91	FITTING	1
002	66.10805.00	FITTING C90MO/M MB3/4"BSP-M36x2	1
003	12.10301.00	FITTING	1
004	66.10808.00	FLANGE RGB STRAIGHT D40 MM M36	1
004	66.10808.00	FLANGE RGB STRAIGHT D40 MM M36	1
005	48.10026.00	FLANGE	1
005	48.10026.00	FLANGE	1
006	66.10807.00	FLANGE RGB-REC-D35MM-M22Junta	1
007	48.10423.00	FITTING	1
008	48.10326.00	FITTING	1
009	64.10227.00	FITTING	1
009	64.10227.00	FITTING	1
010	48.10223.00	FITTING	1
011	66.10811.00	TUBE (EN853-1SN)-3/8" 905 TL-	2
012	66.10812.00	TUBE (EN853-1SN)-3/4" 1240 TL	1
013	66.10813.00	TUBE (EN853-2SN)-5/8" 900 TL-C	1
014	66.10814.00	TUBE (EN853-1SN)-3/4" 2815 TL	1
015	66.10815.00	TUBE (EN857-1SC)-1" 635 TL-C	1
016	66.10816.00	TUBE (EN857-1SC)-1" 675 TL-C	1
017	64.10226.00	FITTING	1
018	46.10911.00	FITTING	1
019	66.10803.00	FITTING M/TL MM M26X1.5 (L18) TL	1

020	20.10550.00	FITTING	1
023	48.10437.00	FITTING	2
024	46.58004.00	FITTING	1
025	39.05924.00	FITTING	1
026	48.10433.00	FITTING	1
027	70.10229.00	FITTING	2
028	48.10934.00	FITTING	2
029	57.10307.00	FITTING	4
030	46.10450.00	FITTING	1
031	66.10831.00	TUBE (EN853-1SN)-5/16" 2320 C	2
032	66.10832.00	TUBE (EN853-1SN)-3/8" 3460 CO	2
033	66.10833.00	TUBE (EN853-1SN)-5/16" 630 CO	1
034	66.10834.00	TUBE (EN853-1SN)-5/16" 700 CO	1

10. HYDRAULIC INSTALLATION

STANDARD HYDRAULIC DIAGRAM

FIGURA	REFERENCIA	DENOMINACIÓN	CANTIDAD
035	66.10835.00	TUBE (EN853-1SN)-5/16" 635 CO	1
036	66.10836.00	TUBE (EN853-1SN)-5/16" 575 CO	1
037	66.10837.00	TUBE (EN853-1SN)-3/8" 595 CON	2
038	46.10825.00	FITTING	2
039	48.10159.00	FITTING	2
040	46.10849.00	FITTING	2
042	30.10335.00	FITTING	2
043	48.10109.00	FITTING	2
044	70.10258.00	FITTING	2
045	48.10313.00	FITTING	2
046	48.10764.00	FITTING	2
047	70.10255.00	FITTING	2
048	48.10934.00	FITTING	2
049	46.10410.00	FITTING	2
050	39.05924.00	FITTING	1
051	66.10851.00	PIPE R4-1.1/4"625TLC90M45X2 35L	1
052	66.10852.00	TUBE (SAE100-R4)-1.1/4" 880 TL-	1
053	66.10853.00	TUBE (EN857-1SC)-3/4" 1905 TL-	1
054	66.10854.00	TUBE (EN856-4SH)-1" 1065 BD45	1
055	66.10855.00	TUBE (EN856-4SH)-1" 1165 BD90	1
056	66.10856.00	TUBE (EN853-1SN)-1/4" 530 TL-	1
057	66.10866.00	MB/M MB1 1/4"BSP-MM M45X2L35	2
058	66.10858.00	TUBE (EN853-1SN)-1/4" 510 TL-	1
059	66.10859.00	PIPE 1/2"480TL-TL M22x1.5-15L	1

060	66.10860.00	TUBE (EN853-1SN)-3/4" 1750 TL-	1
061	66.10861.00	TUBE (EN853-1SN)-3/4" 1165 TL-	1
062	66.10862.00	TUBE (SAE100-R17)-1" 625 TL- C	1
063	66.10863.00	TUBE (SAE100-R17)-1" 655 TL- C	1
065	66.10868.00	HOSE COUP. MM M14X1.5	1
066	48.10408.00	RACCORD M/M	1
067	46.58004.00	FITTING	1
068	66.10804.00	MB M33X2-MM M30X2 L22	1
069	30.10801.00	FITTING MB/M MB M27 - MM M30	1
070	57.10307.00	FITTING	3
071	57.10311.00	FITTING	1
072	48.10453.00	RACOR M/TL -MF M22X1,5 / TL M3	1

10. HYDRAULIC INSTALLATION

STANDARD HYDRAULIC DIAGRAM

FIGURA	REFERENCIA	DENOMINACIÓN	CANTIDAD
073	48.10445.00	RACOR M/M MB26X1,5-MM M26X1.5	1
074	48.10234.00	"RACOR M/TL MF1/2""BSP / M26X1,5"	1
075	48.10235.00	RACOR M/M -1/2"BSP / M22X1,5	1
076	46.10911.00	FITTING	1
077	66.10865.00	MB/M MB 1" BSP-MM M45X2 L35	1
078	48.10943.00	RACOR	1
079	46.10401.00	FITTING	1
080	46.10402.00	COUPLING	1
081	48.10313.00	FITTING	1
082	66.10875.00	FITTING MB/M MB 1/4" BSP-MM M14	1
083	17.10169.00		1
084	46.58112.00		1
085	66.10869.00	C90TO/M MB M10X1-MM M12X1.5L6	1
086	30.10302.00	GASKET 1	2
087	46.10845.00	CLAMP SAE6000 1	2
089	66.10802.00	RUBBER SEAL REC. POLIU.1 1/4"	2
090	48.10322.00	FITTING C90M/TL M45X2	1
091	33.10201.00	C90M/TL CONNECTOR M12X1, 5	1
101	66.10876.00	RIGID TUBE NEGATIVE BRAKE D6X4	1

11. ELECTRIC INSTALLATION BUZZERS

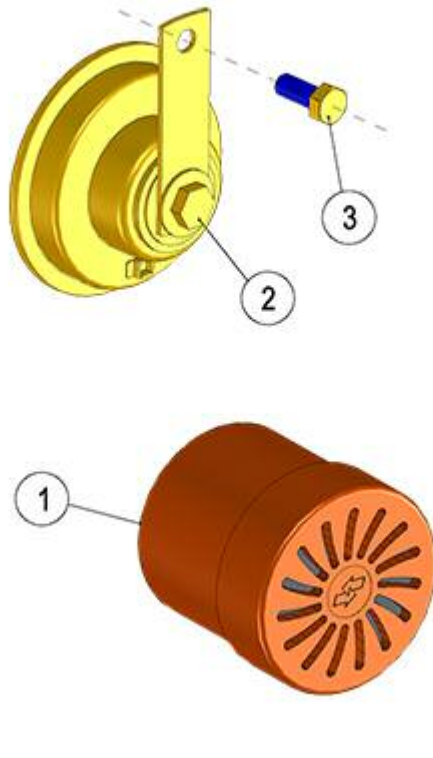


FIGURA	REFERENCIA	DENOMINACIÓN	CANTIDAD
001	02.14110.03	HORN	1
002	70.11309.00	HORN	1
003	603.08020.86	SCREW DIN933 M8x20	1

11. ELECTRIC INSTALLATION ELECTRICAL CONTROL SYSTEMS

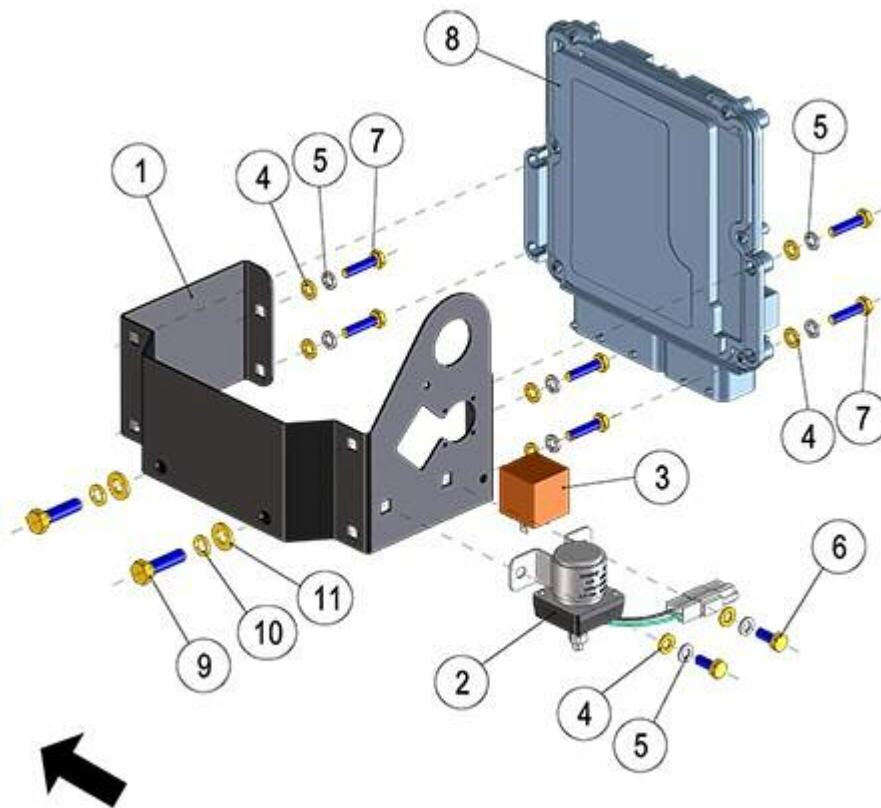


FIGURA	REFERENCIA	DENOMINACIÓN	CANTIDAD
001	66.11110.00	SUPPORT FIXATION ECU	1
002	64.11041.00	RELAY 12V 100A	1
003	43.01530.02	RELAY 40 AMP. 5 CONTAC. 6.3MM	1
004	101.06000.66	WASHER DIN125 D6	10
005	104.06000.00	WASHER DIN7980 D6	10
006	603.06015.86	SCREW DIN933 M6x15	2
007	603.06025.86	SCREW DIN933 M6x25	8
008	66.11120.00	ECU BRR RC10-10/31	1
009	603.08030.86	SCREW DIN933 M8X30	2
010	104.08000.00	WASHER DIN7980 D8	2
011	101.08000.66	WASHER DIN125 D8	2

11. ELECTRIC INSTALLATION DASHBOARD (1)

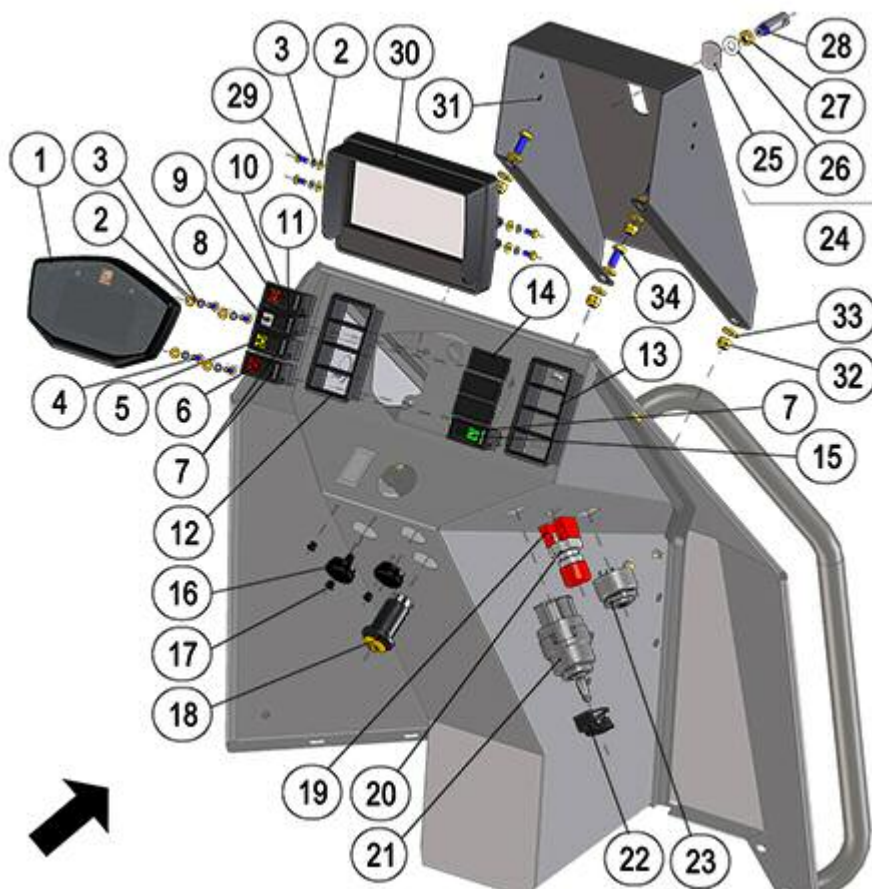


FIGURA	REFERENCIA	DENOMINACIÓN	CANTIDAD
001	66.11104.00	DISPLAY PROGRAMMABLE LCD 4" COL	1
002	101.05000.66	WASHER DIN125 D5	8
003	104.05000.00	WASHER DIN7980 D5	8
004	630.05015.96	SCREW ISO7380 M5x15	4
005	66.11140.00	COVER	1
006	66.11141.00	COVER	1
007	30.11012.00	SWITCH OFF-ON 1P SWF	3
008	66.11116.00	COVER DIAGNOSIS ENGINE SWF 270°	1
009	66.11103.00	COVER PARKING SWF 270°	1
010	30.11008.00	SWITCH ON-ON 1P SWF	1
011	66.11142.00	BUTTON OFF/ON	1
012	66.11112.00	BOX	4
013	66.11113.00	BOX	4
014	12.11024.00	SWITCH CAP	3
015	66.11115.00	HORN COVER	1
016	13.08035.00	COUNTERWEIGHT CAP	2
017	48.08229.00	CAP PLASTIC	4
018	IM.20013.00	SWITCH	1

019	48.11590.01	NC CONTACTOR FOR EMERGENCY STOP	1
020	48.11590.00	SWITCH EMERGENCY 1 CONTACTOR NC	1
021	32.08172.00	MAIN SWITCH WITH KEY ASSEMBLY	1
022	12.11034.00	PROTECTOR CONMUT. ARRANQUE	1
023	12.11033.01	CONTACT ACOUSTIC SIGNAL	1
024	64.04454.00	FIXATION SUPPORT	1
025	64.04451.00	AXLE	1
026	116.01000.00	WASHER DIN 125 A D10	1
027	701.10000.66	NUT DIN934 M10x1.5	1
028	64.04453.00	AXLE	1
029	603.05010.86	SCREW DIN933 M5x10	4
030	64.11051.00	DISPLAY COLOR TFT LCD 7	1
031	66.08129.00	DISPLAY ATTACHMENT SUPPORT	1
032	711.08000.66	NUT DIN982 M8	4
033	101.08000.66	WASHER DIN125 D8	8
034	603.08020.86	SCREW DIN933 M8x20	4

11. ELECTRIC INSTALLATION BATTERY

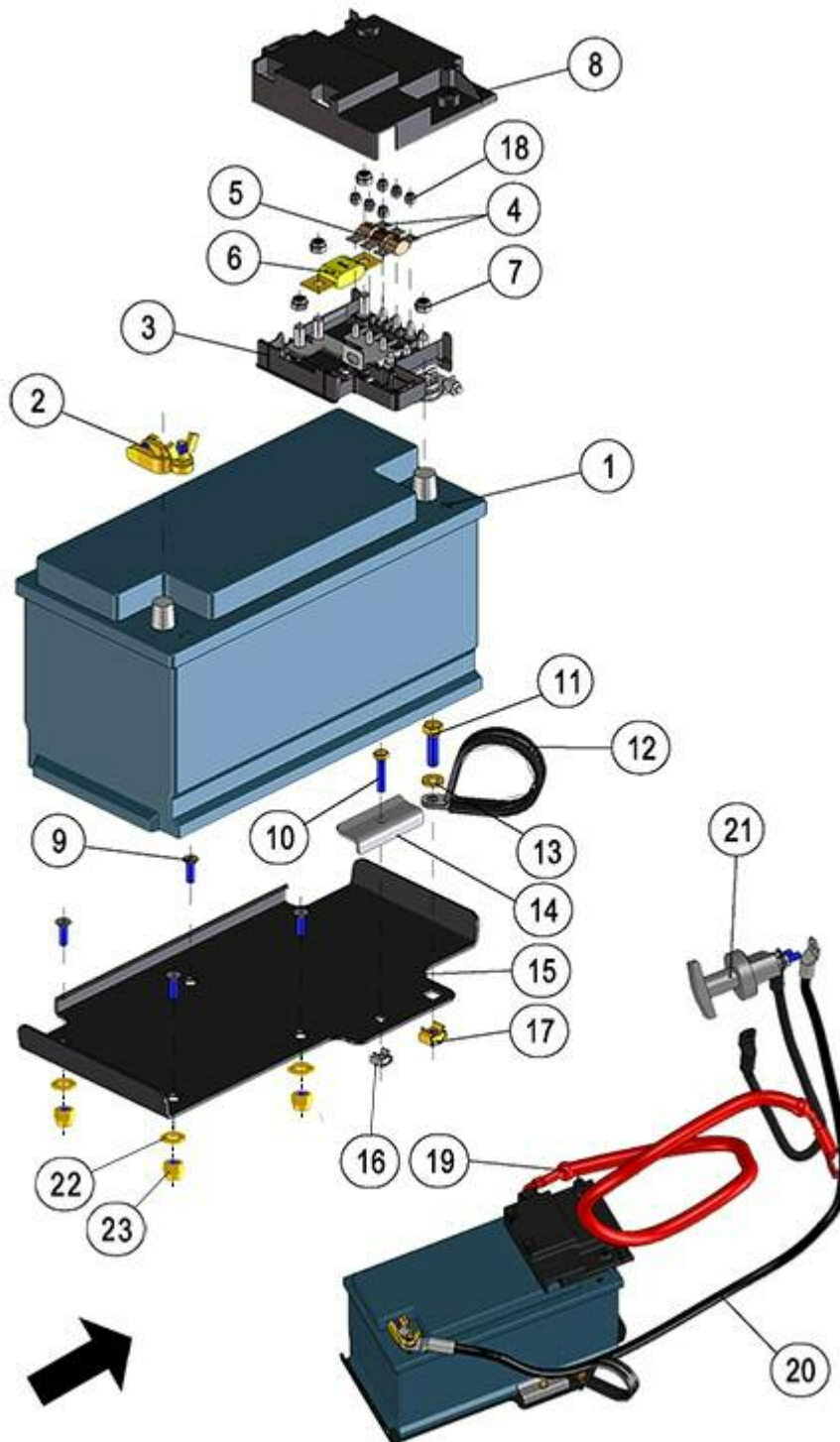


FIGURA	REFERENCIA	DENOMINACIÓN	CANTIDAD
001	46.11100.00	BATTERY	1
002	20.11007.01	NEGATIVE BATTERY CONNECTOR	1
003	20.11009.00	BATTERY FUSE BOX	1
004	13.11109.00	30A FUSE	2
005	20.11011.02	FUSE 70A	1
006	66.11114.00	FUSE 100A GENERAL PROTECTOR	1

007	711.08000.66	NUT DIN982 M8	4
008	20.11014.00	BATTERY FUSEBOX COVER	1
009	618.06020.86	SCREW DIN7991	4
010	603.06030.86	SCREW DIN933 M6x30	1
011	603.08030.86	SCREW DIN933 M8X30	1
012	830.06008.00	CLAMP D60X8	1
013	101.08000.66	WASHER DIN125 D8	1
014	20.11101.00	FIXATION SUPPORT 2X10X70	1
015	66.11800.00	BATTERY SUPPORT	1
016	726.06003.66	CAGED NUT M6x3	1
017	726.08003.66	NUT M8x3	1
018	711.05000.66	NUT DIN982 M5	6
019	66.11200.00	WIRE 50X1000MM M8-M8 90	1
020	66.11203.00	ELECTRIC WIRE 50X1350MM M10-M8	1
021	63.11111.00	NEGATIVE BATTERY DISCONNECTOR	1
022	101.06000.66	WASHER DIN125 D6	4
023	711.06000.66	NUT DIN982 M6	4

11. ELECTRIC INSTALLATION

WIRING HARNESS (PART 1)

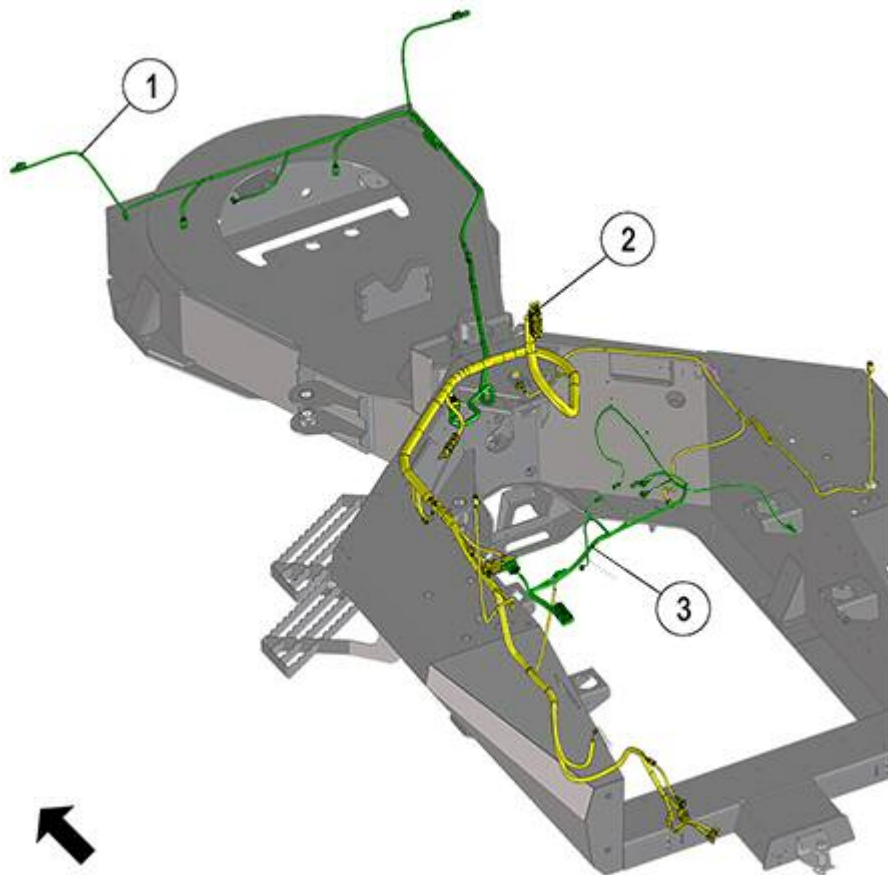


FIGURA	REFERENCIA	DENOMINACIÓN	CANTIDAD
001	66.11016.00	FRONT CHASSIS WIRING HARNESS	1
002	66.11014.00	REAR CHASSIS WIRING HARNESS	1
003	66.11003.00	WIRE HIYDR. TRANS. BRR	1

11. ELECTRIC INSTALLATION WIRING HARNESS (PART 2)

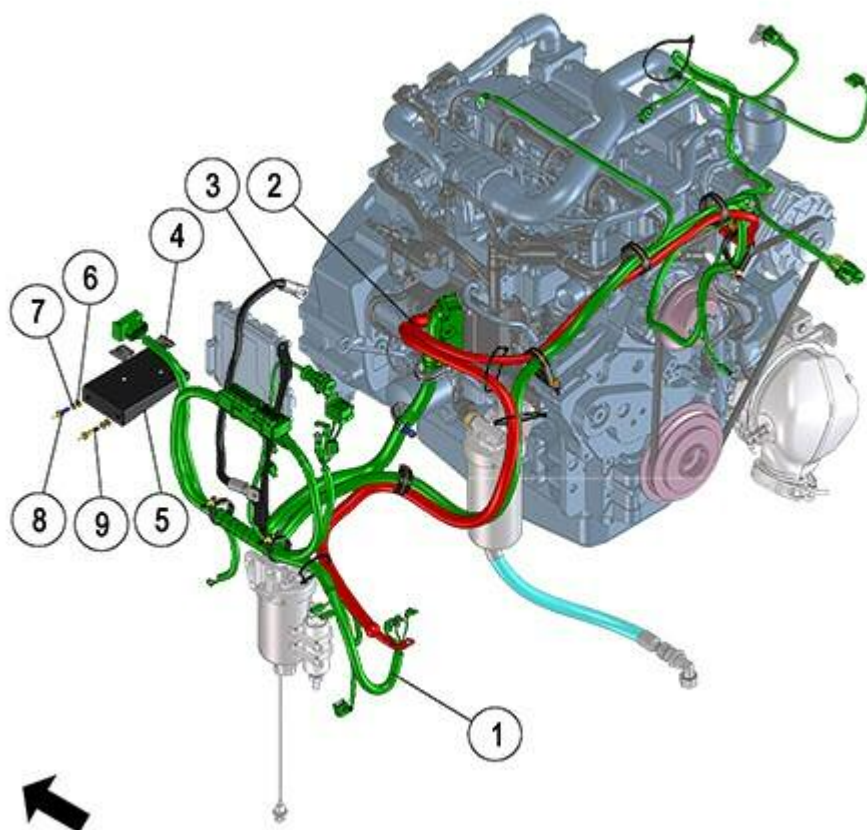


FIGURA	REFERENCIA	DENOMINACIÓN	CANTIDAD
001	66.11013.00	WIRING HARNESS ENGINE ECU	1
002	66.11201.00	WIRE 25X1000MM M10-M8	1
003	64.11006.00	BATTERY NEGATIVE WIRE	1
004	840.00004.00	ELECTRIC SUPPORT DELPHI FCI	2
005	66.11121.00	ELECTRIC CONNECTORS SUPPORT (9005)	1
006	101.06000.66	WASHER DIN125 D6	2
007	104.06000.00	WASHER DIN7980 D6	2
008	603.06020.86	SCREW DIN933 M6x20	1
009	604.06030.86	SCREW DIN931	1

11. ELECTRIC INSTALLATION WIRING HARNESS (PART 3)

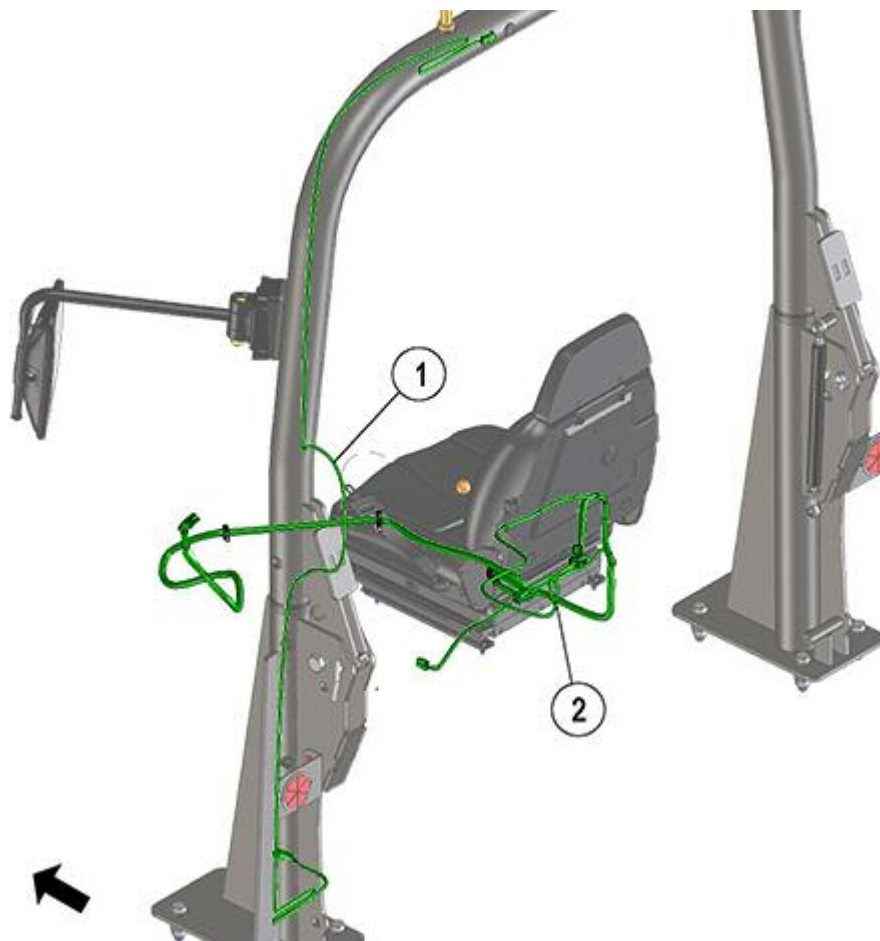


FIGURA	REFERENCIA	DENOMINACIÓN	CANTIDAD
001	66.11011.00	EXTENSION WIRE 3150 2V 2V	1
002	66.11006.01	SEAT + JOYSTICK WIRING HARNESS	1

11. ELECTRIC INSTALLATION

DASHBOARD WIRING

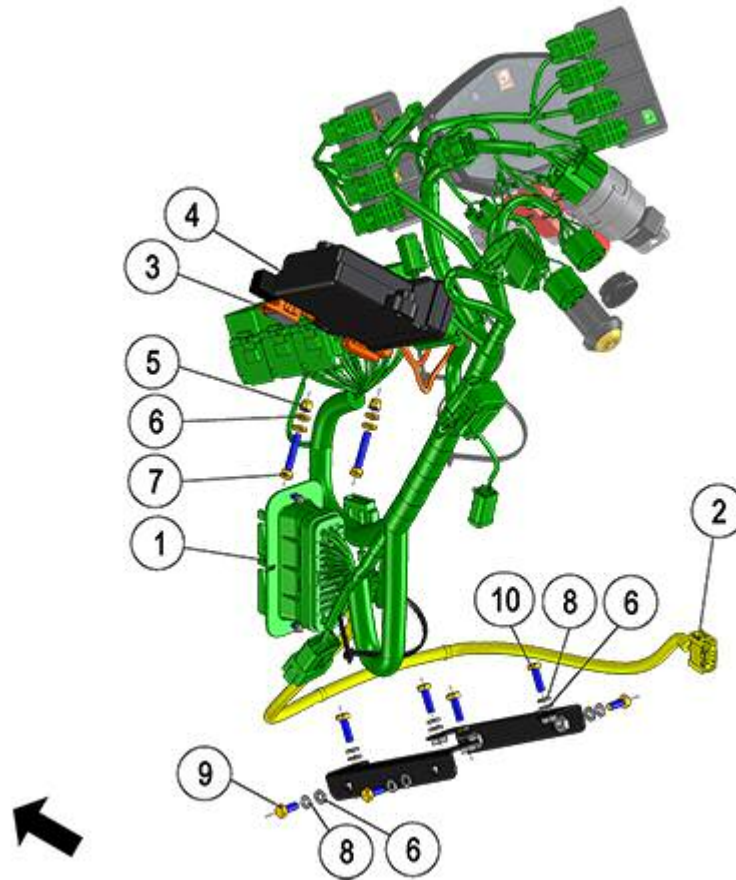


FIGURA	REFERENCIA	DENOMINACIÓN	CANTIDAD
001	66.11000.03	DASHBOARD WIRING	1
002	66.11018.00	ACCELERATOR CABLE	1
003	24.11013.00	STARTING WIRING HARNESS MIDAC+	1
004	66.11107.00	ECU MACHINE FUNC.	1
005	711.06000.66	NUT DIN982 M6	2
006	101.06000.66	WASHER DIN125 D6	12
007	603.06035.86	SCREW DIN933 M6x35	2
008	104.06000.00	WASHER DIN7980 D6	8
009	603.06015.86	SCREW DIN933 M6x15	4
010	603.06020.86	SCREW DIN933 M6x20	4

11. ELECTRIC INSTALLATION

DASHBOARD WIRING

BASTIDOR: 87161

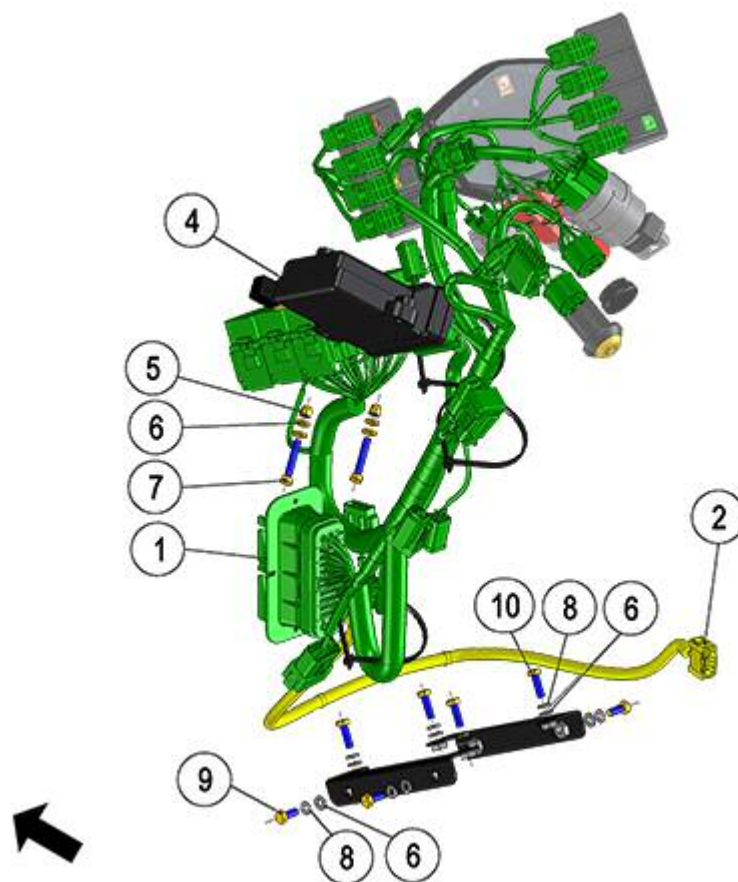


FIGURA	REFERENCIA	DENOMINACIÓN	CANTIDAD
001	66.11000.04	DASHBOARD WIRING	1
002	66.11018.00	ACCELERATOR CABLE	1
004	66.11107.00	ECU MACHINE FUNC.	1
005	711.06000.66	NUT DIN982 M6	2
006	101.06000.66	WASHER DIN125 D6	12
007	603.06035.86	SCREW DIN933 M6x35	2
008	104.06000.00	WASHER DIN7980 D6	8
009	603.06015.86	SCREW DIN933 M6x15	4
010	603.06020.86	SCREW DIN933 M6x20	4

11. ELECTRIC INSTALLATION

DASHBOARD WIRING

BASTIDOR: 88200

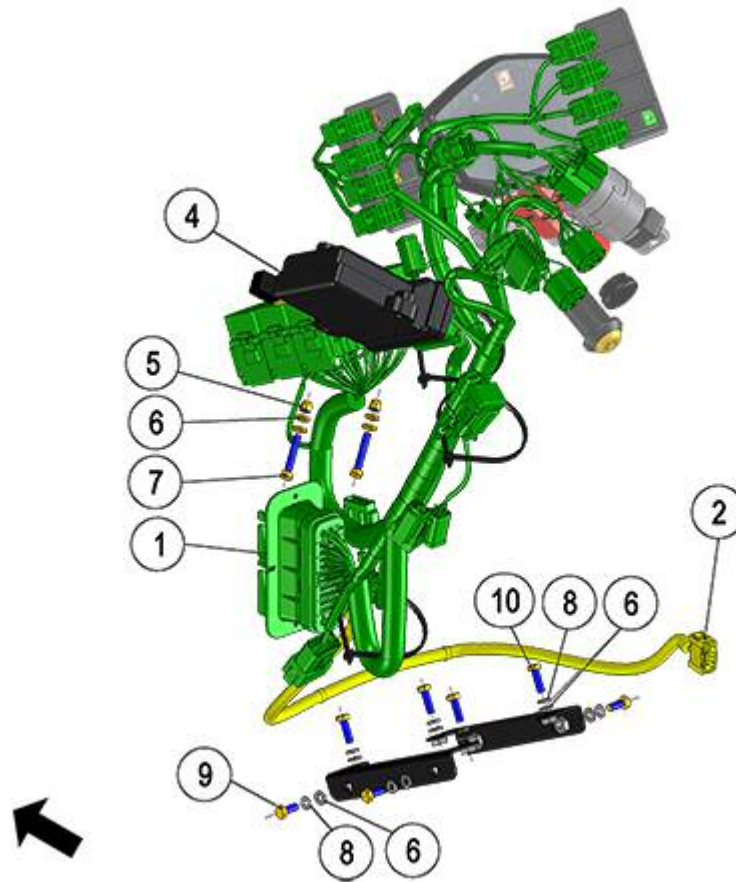


FIGURA	REFERENCIA	DENOMINACIÓN	CANTIDAD
001	66.11000.05	DASHBOARD WIRING	1
002	66.11018.00	ACCELERATOR CABLE	1
004	66.11107.00	ECU MACHINE FUNC.	1
005	711.06000.66	NUT DIN982 M6	2
006	101.06000.66	WASHER DIN125 D6	12
007	603.06035.86	SCREW DIN933 M6x35	2
008	104.06000.00	WASHER DIN7980 D6	8
009	603.06015.86	SCREW DIN933 M6x15	4
010	603.06020.86	SCREW DIN933 M6x20	4

OBSERVACIONES

PM.00050

12. FINISHES STANDARD STICKER (1)

	1		5
	2		6
	3		7
	4		

FIGURA	REFERENCIA	DENOMINACIÓN	CANTIDAD
001	14.00775.01	PLATE AD. INDI	2
002	02.00773.01	PLATE AD. INDI	1
003	02.00774.00	PLATE AD. INDI	1
004	02.00764.00	PLATE AD. INDI	2
005	66.12110.00	INDI. PLATE ROPS 66.08160.01 120x20x0.3	1
006	55.00780.00	PLATE AD. INDI	1
007	01.00779.60	INDI. PLATE 130X100 STANDARD	1

12. FINISHES

STANDARD STICKER (2)

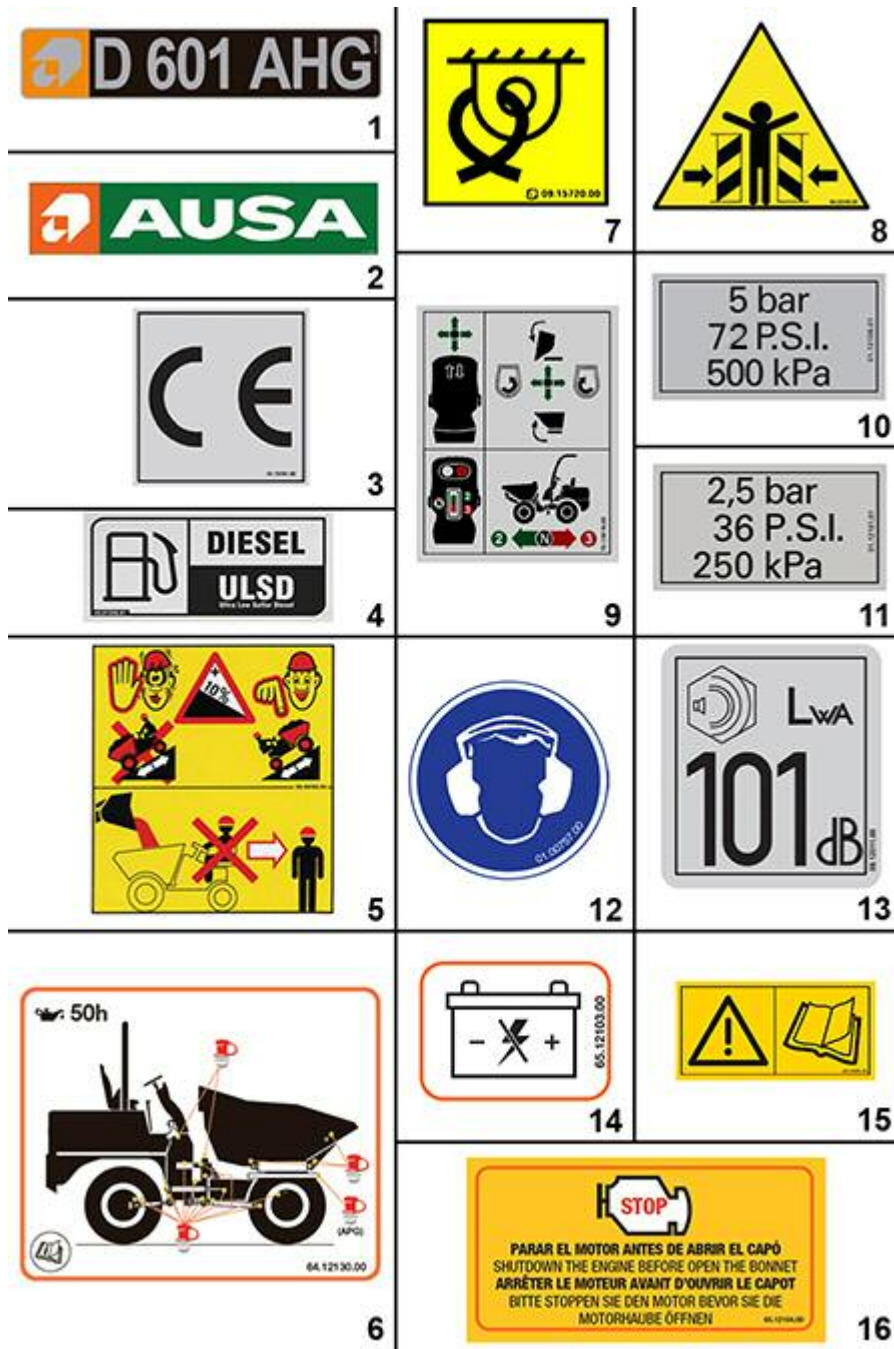


FIGURA	REFERENCIA	DENOMINACIÓN	CANTIDAD
001	66.12100.01	PLATE 68X345 MOD. D601AHG	1
002	13.12136.02	ADHESIVE, AUSA 720x147	2
003	45.19101.00	PLATE AD. INDI	2
004	43.01356.01	ADH. PLATE IND. DIESEL ULSD 90	1
005	09.00769.00	PLATE AD. INDI	1
006	64.12130.00	INDI. PLATE GREASING POINTS	1
007	09.15720.00	PLATE AD. INDI	4
008	60.22350.00	PLATE AD. INDI	2
009	70.12018.00	ADHESIVE CONTROLS LEVER	1

010	01.12106.01	ADHESIVE PRESSURE 5/74/500	2
011	01.12101.01	ADHESIVE PRESSURE 2.5/36/250	2
012	01.00757.00	PLATE AD. INDI	1
013	09.12011.00	ADHESIVE	1
014	65.12103.00	STICKER DISCONNECT	1
015	48.12026.00	STICKER BOOK INSTRUCTIONS	3
016	65.12104.00	STICKER ENGINE SHUTDOWN	2

12. FINISHES

STANDARD STICKER (2)

BASTIDOR: 86740

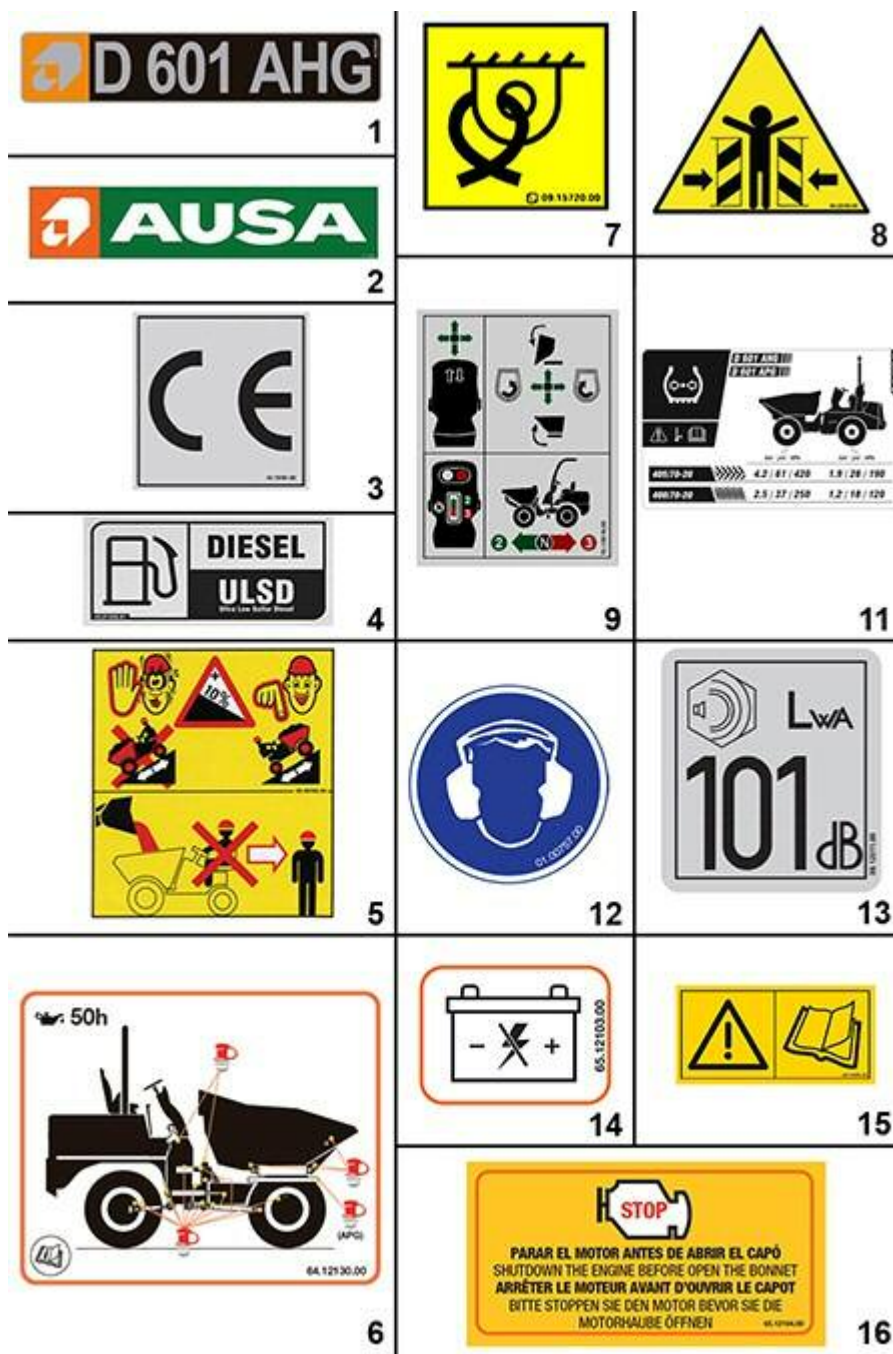


FIGURA	REFERENCIA	DENOMINACIÓN	CANTIDAD
001	66.12100.01	PLATE 68X345 MOD. D601AHG	1
002	13.12136.02	ADHESIVE, AUSA 720x147	2
003	45.19101.00	PLATE AD. INDI	2
004	43.01356.01	ADH. PLATE IND. DIESEL ULSD 90	1
005	09.00769.00	PLATE AD. INDI	1
006	64.12130.00	INDI. PLATE GREASING POINTS	1
007	09.15720.00	PLATE AD. INDI	4
008	60.22350.00	PLATE AD. INDI	2

009	70.12018.00	ADHESIVE CONTROLS LEVER	1
011	66.12070.00	WHEELS PRESSURE STICKER	1
012	01.00757.00	PLATE AD. INDI	1
013	09.12011.00	ADHESIVE	1
014	65.12103.00	STICKER DISCONNECT	1
015	48.12026.00	STICKER BOOK INSTRUCTIONS	3
016	65.12104.00	STICKER ENGINE SHUTDOWN	2

12. FINISHES

STANDARD STICKER (3)

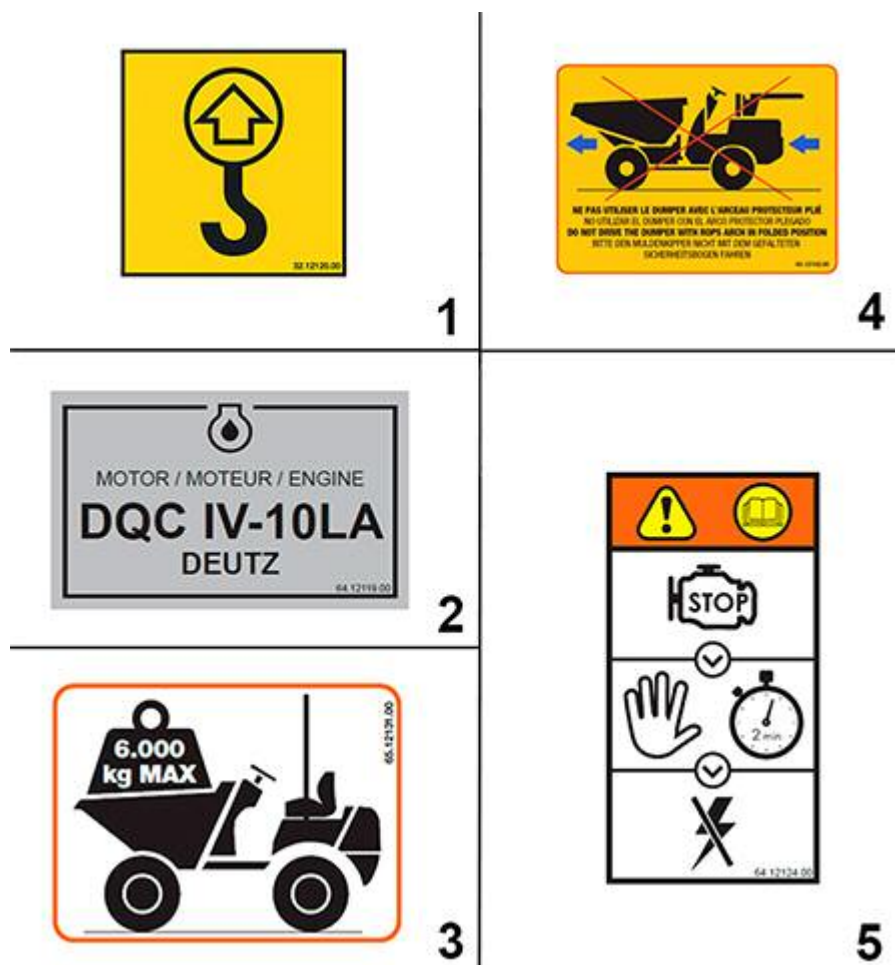


FIGURA	REFERENCIA	DENOMINACIÓN	CANTIDAD
001	32.12120.00	PLATE AD. INDI. LIFTING POINT	2
002	64.12119.00	STICKER OIL DQC IV 10 LA D	1
003	65.12131.00	STICKER 6000KG MAX	1
004	65.12102.00	STICKER ARCH FOLDED POSITION	1
005	64.12124.00	DO NOT DISCONNECT STICKER	1

12. FINISHES

TOOLS BAG



FIGURA	REFERENCIA	DENOMINACIÓN	CANTIDAD
001	01.00036.02	TOOLS-BAG	1

13. ACCESSORIES

AIR CONDITIONING (1)

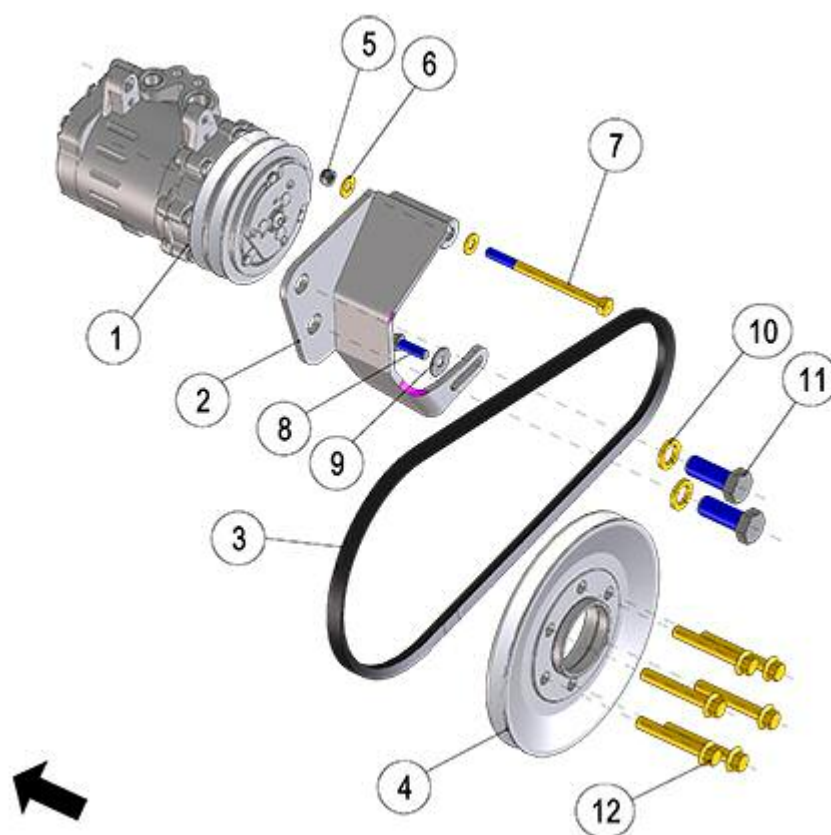


FIGURA	REFERENCIA	DENOMINACIÓN	CANTIDAD
001	30.13492.00	COMPRESSOR 12V 115M SD7B10 2CA	1
002	66.02606.00	COMPRESSOR SUPPORT	1
003	66.13003.00	BELT	1
004	30.13413.00	PULLEY COMPR. MOT. DEUTZ TD3.6	1
005	711.08000.66	NUT DIN982 M8	1
006	101.08000.66	WASHER DIN125 D8	2
007	604.08110.87	SCREW DIN913 M8X110	1
008	603.08025.86	SCREW DIN933 M8x25	1
009	112.08000.66	WASHER DIN9021 D8	1
010	104.16000.00	CIR-CLIP EXT. DIN7980	2
011	603.16040.86	SHOCK ABSORBER, 35x50x72	2
012	634.10065.86	SCREW DIN6921 M10X65	6

13. ACCESSORIES

ROCKINGER HOOK

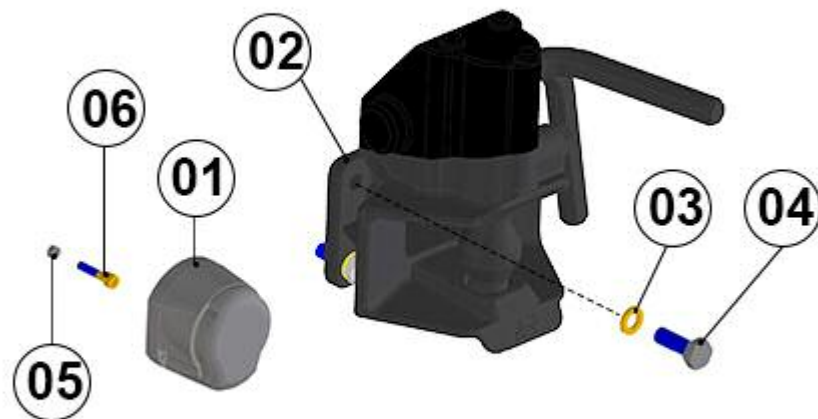


FIGURA	REFERENCIA	DENOMINACIÓN	CANTIDAD
001	43.50518.00	CONNECTOR	1
002	46.09645.00	TRAILER HITCH	1
003	105.10000.66	WASHER DIN7980 D10	4
004	603.10030.87	SCREW DIN 933 M10x30	4
005	701.05000.66	NUT DIN934 M5x0.8	3
006	601.05025.86	SCREW DIN912 M5X25	3

13. ACCESSORIES

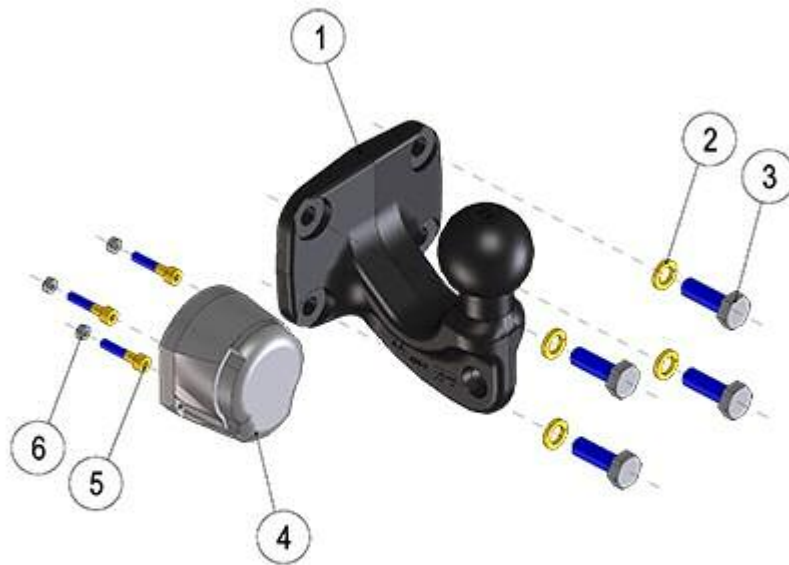


FIGURA	REFERENCIA	DENOMINACIÓN	CANTIDAD
001	14.00794.02	HOKE	1
002	104.10000.00	WASHER DIN7980 D10	4
003	603.10030.87	SCREW DIN 933 M10x30	4
004	43.50518.00	CONNECTOR	1
005	601.05025.86	SCREW DIN912 M5X25	3
006	701.05000.66	NUT DIN934 M5x0.8	3

13. ACCESSORIES

LIGHTS

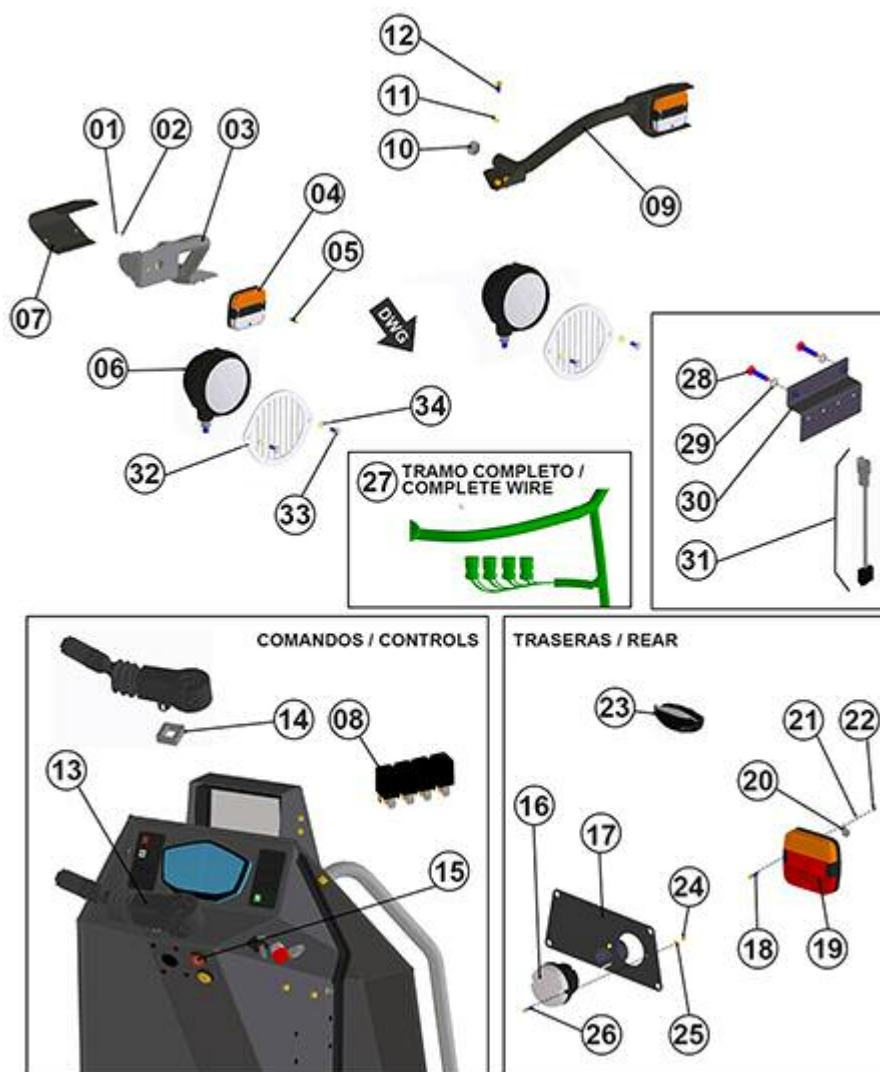


FIGURA	REFERENCIA	DENOMINACIÓN	CANTIDAD
001	711.04000.66	NUT	4
002	101.04000.66	WASHER DIN125 D4	4
003	66.13001.00	HEADLIGHT SUPPORT RIGHT	1
004	66.11126.00	MULTIFUNCTION LED LIGHT	2
005	601.04020.87	SCREW DIN912 M4x20	4
006	66.11132.00	FRONTAL LIGHT LEFT AND RIGHT	2
007	66.13004.00	PROTECTOR LIGHT SUPPORT	2
008	IM.20026.03	MICRO RELAY WITH DIODE	4
009	66.13002.00	HEADLIGHT SUPPORT LEFT	1
010	02.32035.00	CAP	4
011	104.08000.00	WASHER DIN7980 D8	6
012	603.08020.86	SCREW DIN933 M8x20	6
013	70.11323.01	LIGHTS LEVER SWITCH	1
014	70.11025.00	ADHESIVE FOAM SEALER	1

015	66.11135.00	SWITCH WARNING LED	1
016	66.11127.00	LIGHT REVERSE LED	1
017	66.08014.00	SUPPORT REAR LIGHT AND SENSOR (9005)	1
018	601.04020.87	SCREW DIN912 M4x20	4
019	66.11125.00	MULTIFUNCTION LED LIGHT REAR	2
020	830.00606.00	BRIDA LAZO D6x6	2
021	101.04000.66	WASHER DIN125 D4	4
022	711.04000.66	NUT	4
023	66.11128.00	LED NUMBER PLATE	1
024	711.03000.67	nut Din985 M3	2
025	101.03000.67	WASHER DIN125 D3	2
026	601.03020.86	HEXAGON SOCKET HEAD SCREW DIN912 M3x20	2
027	66.11007.00	WIRE LIGHTS	1
028	603.06025.86	SCREW DIN933 M6x25	2
029	101.06000.66	WASHER DIN125 D6	2
030	66.11136.00	SUPPORT RESISTORS LED (9005)	1
031	66.11130.00	RESISTOR SMART LIGHT LED	1
032	66.08028.00	BULB GUARD FRONTAL LIGHT	2
033	630.08020.96	SCREW ISO7380	4
034	104.08000.00	WASHER DIN7980 D8	2

13. ACCESSORIES

WORK LIGHTS

DELANTERAS / FRONT



COMANDOS / CONTROLS

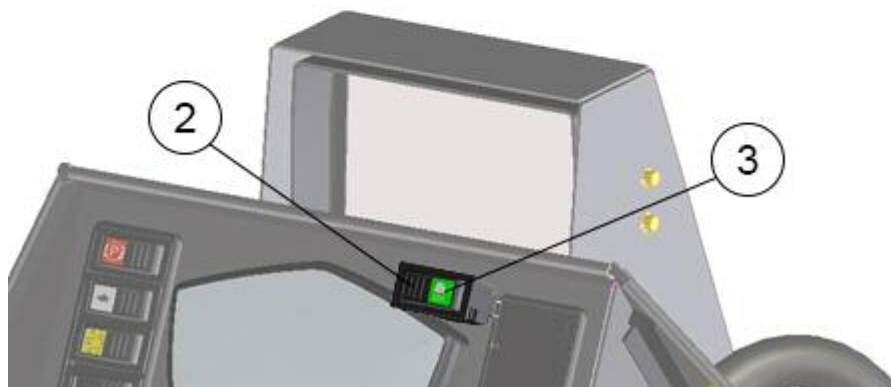


FIGURA	REFERENCIA	DENOMINACIÓN	CANTIDAD
001	48.11034.01	LED WORKING LIGHT GEN3 13W	2
002	66.11153.00	ON-ON SWITCH	1
003	66.11118.00	WORKLIGHT COVER	1

13. ACCESSORIES

SENSORS PROXIMITY

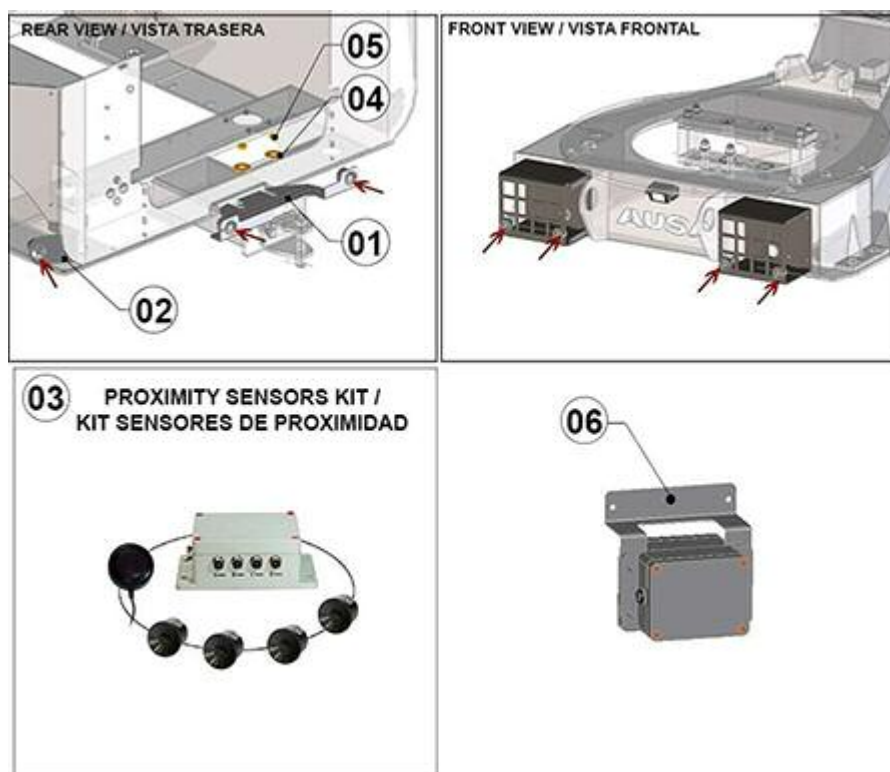


FIGURA	REFERENCIA	DENOMINACIÓN	CANTIDAD
001	64.13102.00	SENSOR SUPPORT	1
002	64.13101.00	SENSOR SUPPORT	2
003	64.13001.01	PROXIMITY SENSORS KIT	1
003.1	64.11303.00	DEFUSE SPEAKER WIRING HARNESS	1
004	112.14000.67	WASHER 15X45X3 DIN 9021	2
005	702.14000.66	NUT DIN936 M14x2	2
006	64.13103.00	SUPPORT	1

13. ACCESSORIES

SENSORS PROXIMITY

BASTIDOR: 86462

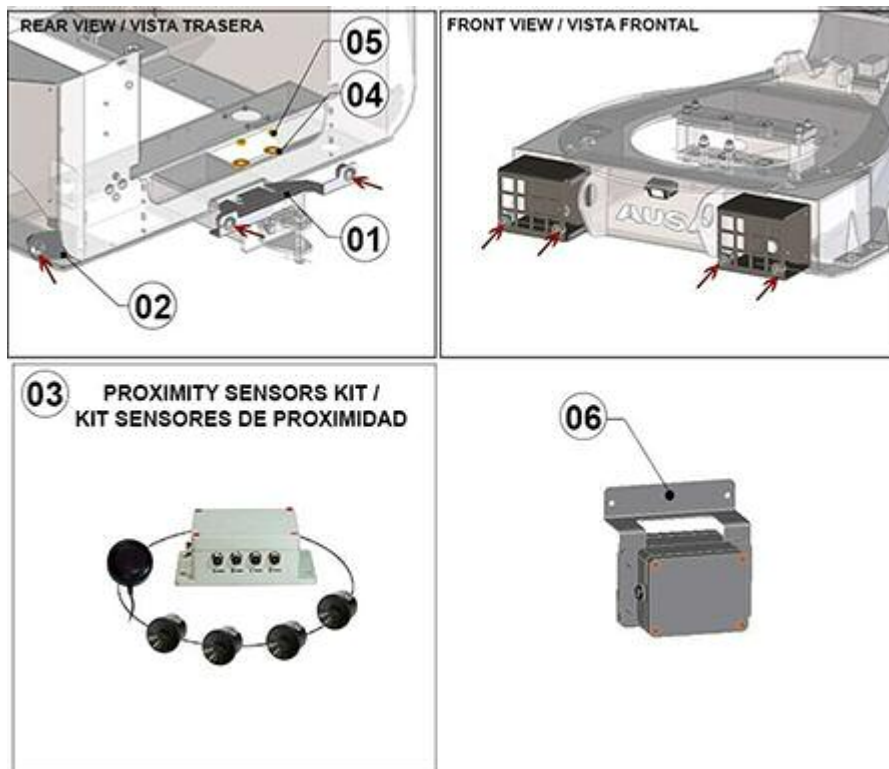


FIGURA	REFERENCIA	DENOMINACIÓN	CANTIDAD
001	64.13102.00	SENSOR SUPPORT	1
002	64.13101.00	SENSOR SUPPORT	2
003	64.13001.02	PROXIMITY SENSORS KIT	1
003.1	64.11303.01	DEFUSE SPEAKER FVS WIRING HARNESS	1
004	112.14000.67	WASHER 15X45X3 DIN 9021	2
005	702.14000.66	NUT DIN936 M14x2	2
006	64.13103.00	SUPPORT	1

13. ACCESSORIES

FVS

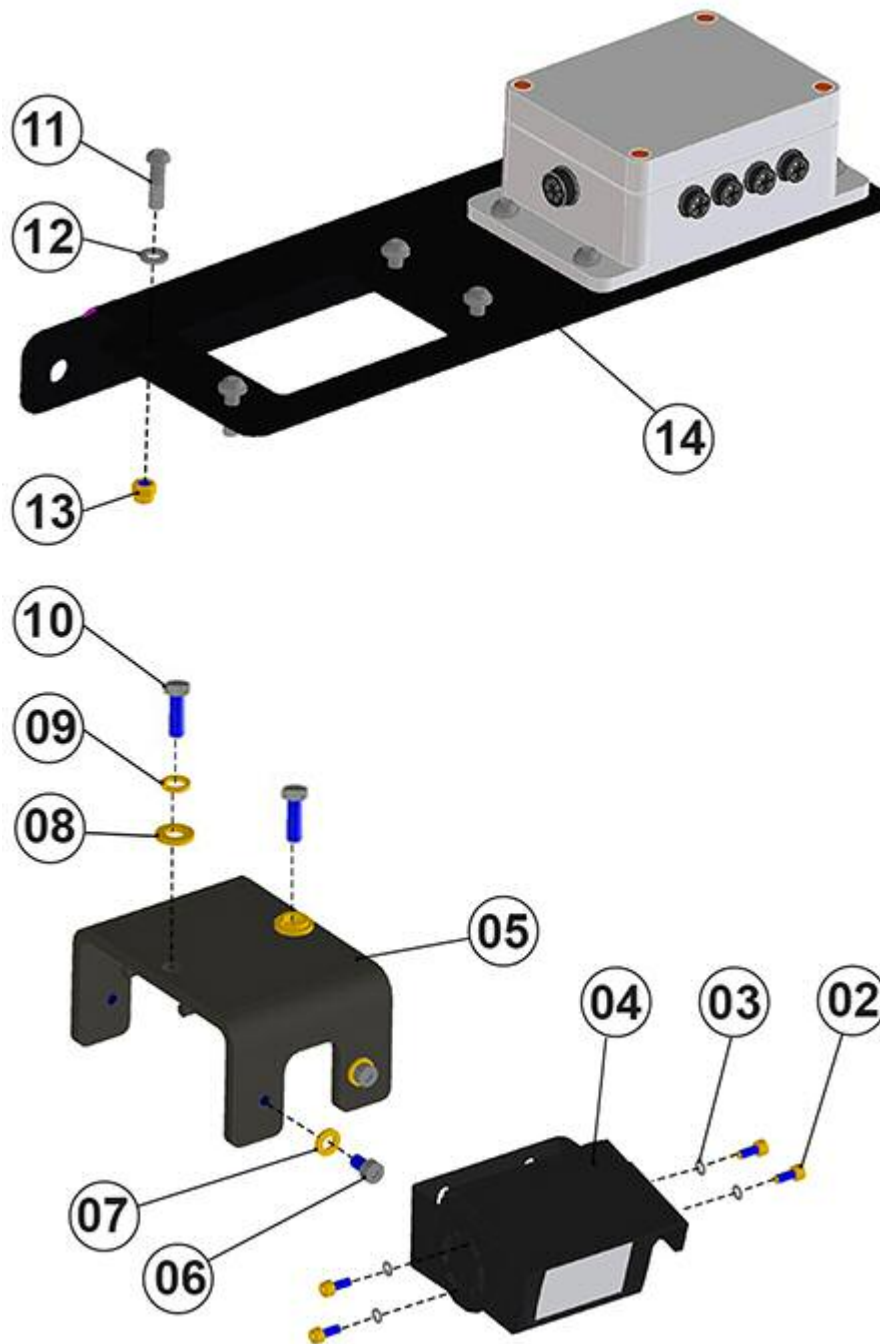


FIGURA	REFERENCIA	DENOMINACIÓN	CANTIDAD
002	601.04010.87	SCREW	4
003	101.04000.66	WASHER DIN125 D4	4
004	64.11052.00	VISION CAMERA 72X87X75MM	1
005	64.04457.00	CAMERA ATTACHMENT SUPPORT	1
006	601.06015.86	SCREW DIN912	2
007	101.06000.67	WASHER DIN125 D6	2
008	101.08000.66	WASHER DIN125 D8	2
009	104.08000.00	WASHER DIN7980 D8	2

010	603.08025.86	SCREW DIN933 M8x25	2
011	630.06025.96	SCREW ISO7380 M6x25	8
012	101.06000.66	WASHER DIN125 D6	8
013	711.06000.66	NUT DIN982 M6	8
014	66.13005.00	ATTACHMENT SUPPORT ELECTRICAL BOX	1

13. ACCESSORIES

START STOP

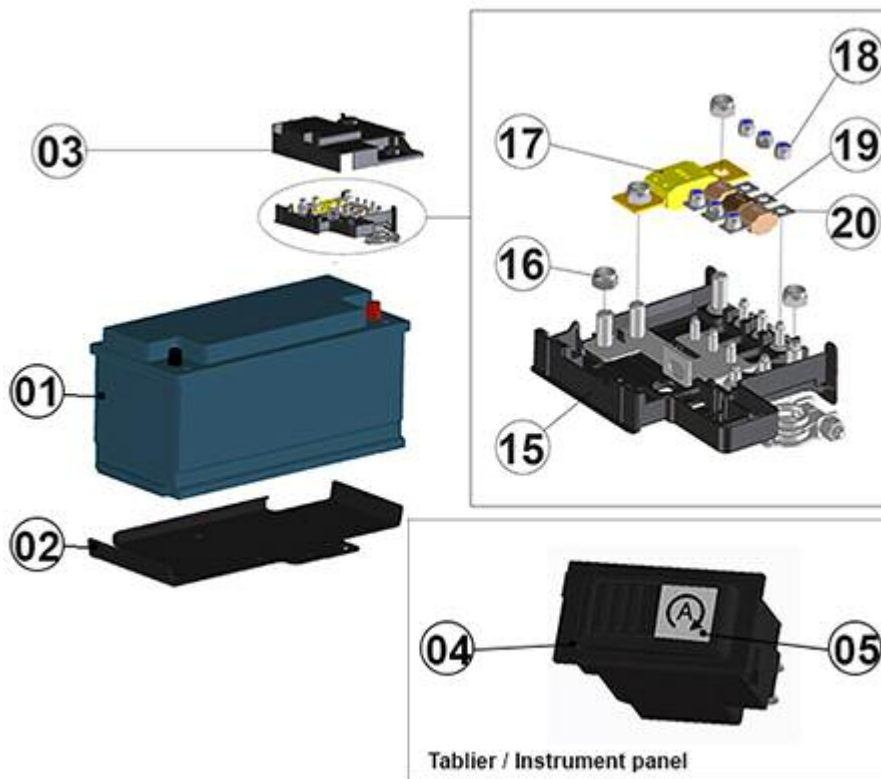


FIGURA	REFERENCIA	DENOMINACIÓN	CANTIDAD
001	66.11139.00	BATTERY 105AH 950A AGM START STOP	1
002	66.11801.00	BATTERY SUPPORT 406X203X27X3 (9005)	1
003	20.11014.00	BATTERY FUSEBOX COVER	1
004	30.11012.00	SWITCH OFF-ON 1P SWF	1
005	66.11138.00	COVER START STOP SWF 90°	1
015	20.11009.00	BATTERY FUSE BOX	1
016	711.08000.66	NUT DIN982 M8	4
017	66.11114.00	FUSE 100A GENERAL PROTECTOR	1
018	711.05000.66	NUT DIN982 M5	6
019	20.11011.02	FUSE 70A	1
020	13.11109.00	30A FUSE	2

13. ACCESSORIES

GERMANY CIRCULATION REGULATION (1)



FIGURA	REFERENCIA	DENOMINACIÓN	CANTIDAD
001	711.04000.66	NUT	4
002	101.04000.66	WASHER DIN125 D4	4
003	66.13001.00	HEADLIGHT SUPPORT RIGHT	1
004	66.11126.00	MULTIFUNCTION LED LIGHT	2
005	601.04020.87	SCREW DIN912 M4x20	4
006	66.11132.00	FRONTAL LIGHT LEFT AND RIGHT	2
007	66.13004.00	PROTECTOR LIGHT SUPPORT	2
008	IM.20026.03	MICRO RELAY WITH DIODE	4
009	66.13002.00	HEADLIGHT SUPPORT LEFT	1
010	02.32035.00	CAP	4
011	104.08000.00	WASHER DIN7980 D8	6
012	603.08020.86	SCREW DIN933 M8x20	6
013	70.11323.01	LIGHTS LEVER SWITCH	1
014	70.11025.00	ADHESIVE FOAM SEALER	1
015	66.11135.00	SWITCH WARNING LED	1
016	66.11127.00	LIGHT REVERSE LED	1

017	66.08014.00	SUPPORT REAR LIGHT AND SENSOR (9005)	1
018	601.04020.87	SCREW DIN912 M4x20	4
019	66.11125.00	MULTIFUNCTION LED LIGHT REAR	2
020	830.00606.00	BRIDA LAZO D6x6	2
021	101.04000.66	WASHER DIN125 D4	4
022	711.04000.66	NUT	4
023	66.11128.00	LED NUMBER PLATE	1
024	711.03000.67	nut Din985 M3	2
025	101.03000.67	WASHER DIN125 D3	2
026	601.03020.86	HEXAGON SOCKET HEAD SCREW DIN912 M3x20	2
027	66.11007.00	WIRE LIGHTS	1
028	603.06025.86	SCREW DIN933 M6x25	2
029	101.06000.66	WASHER DIN125 D6	2
030	66.11136.00	SUPPORT RESISTORS LED (9005)	1
031	66.11130.00	RESISTOR SMART LIGHT LED	1
032	66.08163.00	LIGHT SUPPORT	2
033	630.06025.96	SCREW ISO7380 M6x25	4
034	101.06000.66	WASHER DIN125 D6	4
035	711.06000.66	NUT DIN982 M6	4
036	66.08015.00	SENSOR SUPPORT RIGHT (9005)	1

13. ACCESSORIES

GERMANY CIRCULATION REGULATION (2)

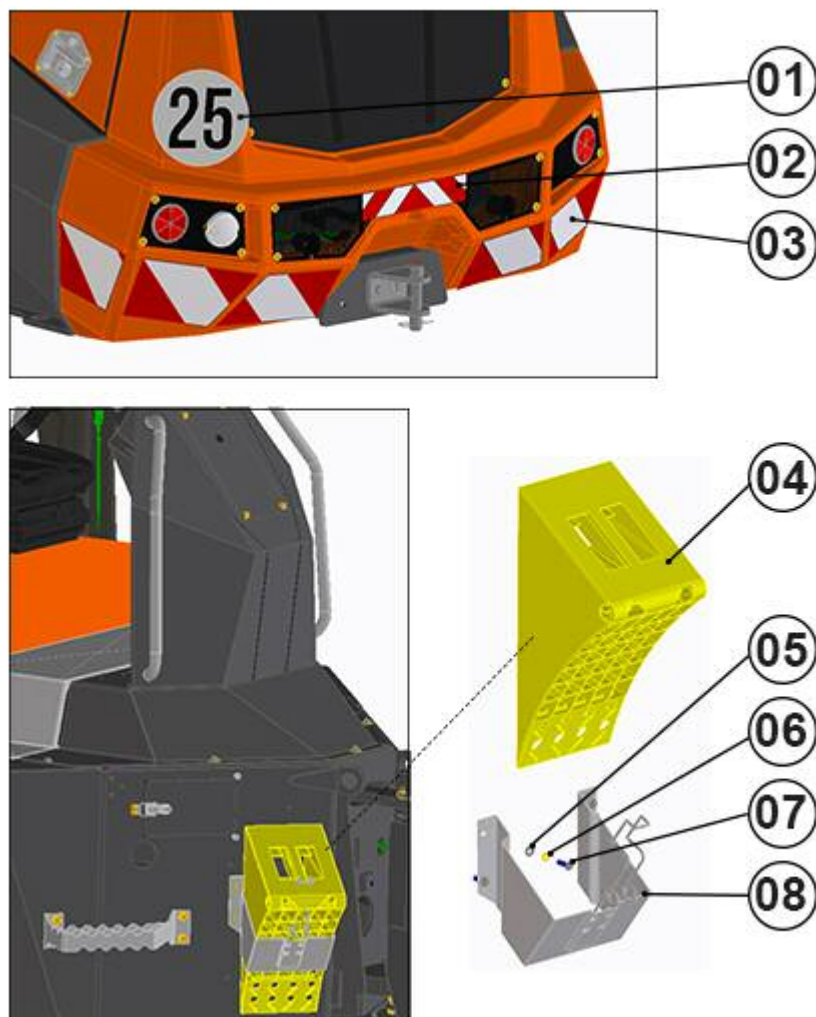


FIGURA	REFERENCIA	DENOMINACIÓN	CANTIDAD
001	46.11720.00	STICKER 25KM/H	3
002	39.09901.00	PLATE AD. INDI	3
003	465.14017.00	REFLECTIVE STICKER 140MM	8
004	63.01420.00	WHEEL CHOCK 200X230X475	1
005	101.08000.66	WASHER DIN125 D8	4
006	104.08000.00	WASHER DIN7980 D8	4
007	630.08025.96	SCREW ISO7380	4
008	63.01421.00	SUPPORT WHEEL CHOCK 200X250X290	1

13. ACCESSORIES

SECOND REAR-VIEW MIRROR

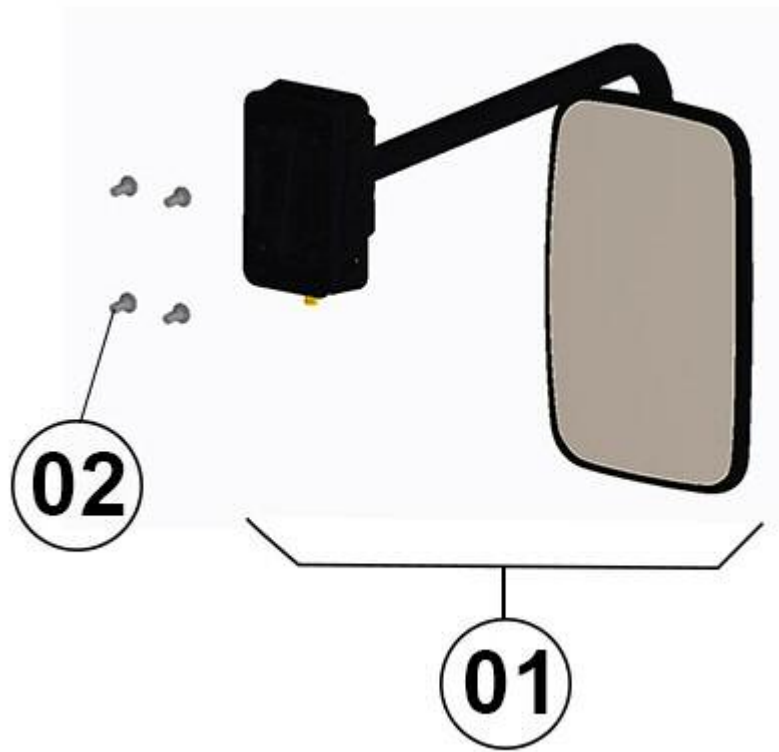


FIGURA	REFERENCIA	DENOMINACIÓN	CANTIDAD
001	66.08251.00	REAR-VIEW MIRROR	1
002	618.08020.86	SCREW DIN7991 M8x20	4

13. ACCESSORIES

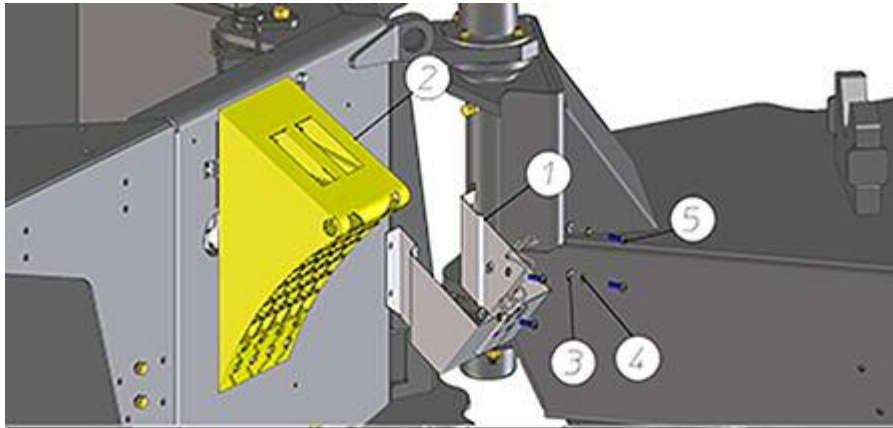
SWISS CIRCULATION



FIGURA	REFERENCIA	DENOMINACIÓN	CANTIDAD
001	63.01420.00	WHEEL CHOCK 200X230X475	1
002	63.01421.00	SUPPORT WHEEL CHOCK 200X250X290	1
003	711.08000.66	NUT DIN982 M8	4
004	101.08000.66	WASHER DIN125 D8	4
005	104.08000.00	WASHER DIN7980 D8	4
006	630.08025.96	SCREW ISO7380	4
007	39.09901.00	PLATE AD. INDI	3
008	46.11720.01	STICKER 25KM/H	3
009	465.14017.00	REFLECTIVE STICKER 140MM	8

13. ACCESSORIES

AUSTRIAN FINISHES (1)



6



7



8



FIGURA	REFERENCIA	DENOMINACIÓN	CANTIDAD
001	63.01421.00	SUPPORT WHEEL CHOCK 200X250X290	1
002	63.01420.00	WHEEL CHOCK 200X230X475	1
003	101.08000.66	WASHER DIN125 D8	4
004	104.08000.00	WASHER DIN7980 D8	4

005	630.08025.96	SCREW ISO7380	4
006	46.11720.00	STICKER 25KM/H	3
007	39.09901.00	PLATE AD. INDI	2
008	465.14017.00	REFLECTIVE STICKER 140MM	2

13. ACCESSORIES AUSTRIAN FINISHES (2)

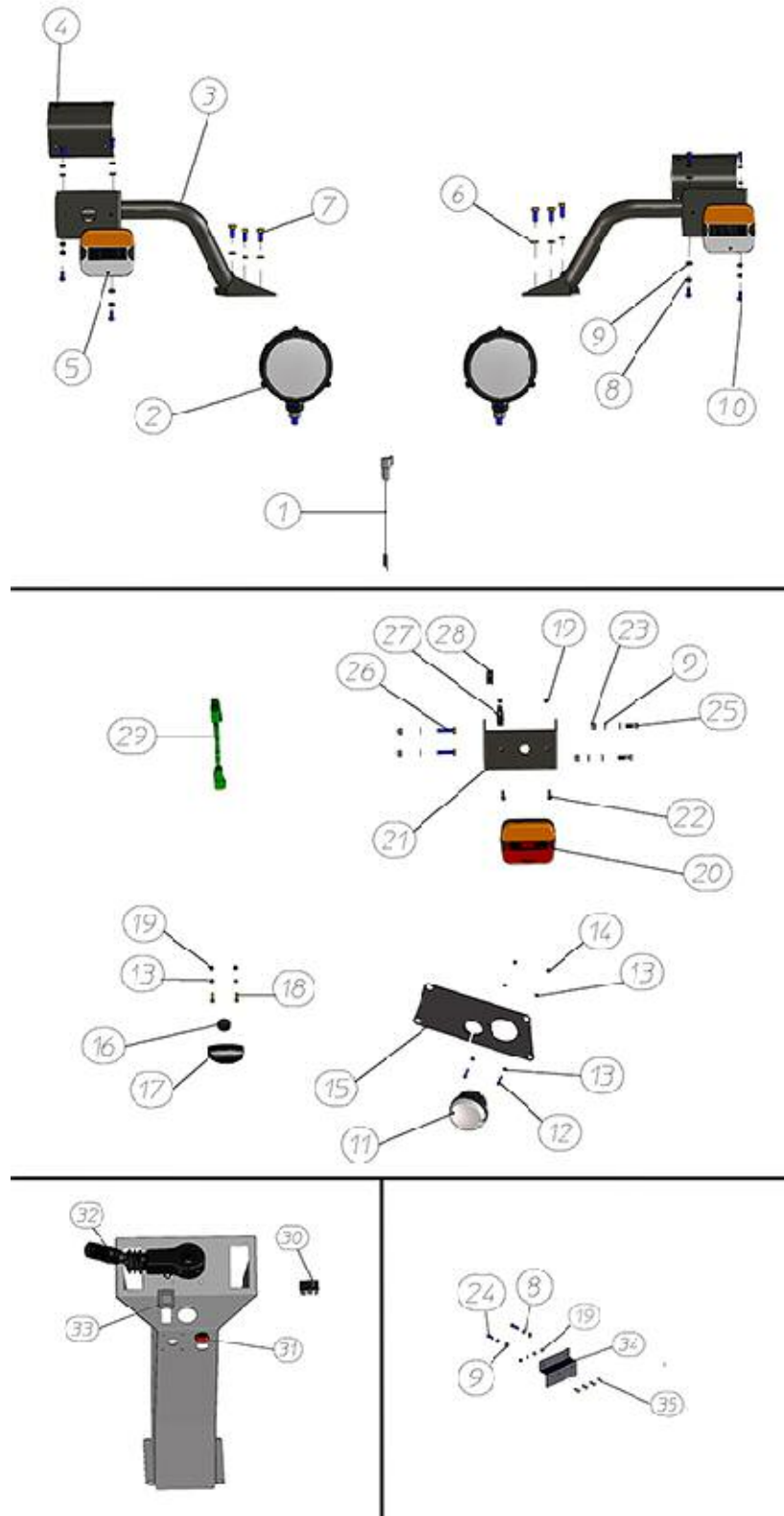


FIGURA	REFERENCIA	DENOMINACIÓN	CANTIDAD
001	66.11130.00	RESISTOR SMART LIGHT LED	1
002	66.11132.00	FRONTAL LIGHT LEFT AND RIGHT	2
003	66.13001.00	HEADLIGHT SUPPORT RIGHT	2

004	66.13004.00	PROTECTOR LIGHT SUPPORT	2
005	66.11126.00	MULTIFUNCTION LED LIGHT	2
006	104.08000.00	WASHER DIN7980 D8	6
007	603.08020.86	SCREW DIN933 M8x20	6
008	104.06000.00	WASHER DIN7980 D6	8
009	101.06000.66	WASHER DIN125 D6	22
010	630.06015.96	SCREW ISO7380 M6x15	8
011	66.11127.00	LIGHT REVERSE LED	1
012	601.03020.86	HEXAGON SOCKET HEAD SCREW DIN912 M3x20	2
013	101.04000.66	WASHER DIN125 D4	14
014	711.03000.67	nut Din985 M3	2
015	66.08014.01	PLATE	1
016	16.00760.00	BUSH	1
017	66.11128.00	LED NUMBER PLATE	1
018	615.04020.66	SCREW DIN84	2
019	711.04000.66	NUT	14
020	66.11125.00	MULTIFUNCTION LED LIGHT REAR	2
021	66.08163.00	LIGHT SUPPORT	2
022	601.04020.87	SCREW DIN912 M4x20	4
023	711.06000.66	NUT DIN982 M6	8
024	630.06020.96	SCREW ISO7380 M6x20	2
025	630.06025.96	SCREW ISO7380 M6x25	4
026	603.06030.86	SCREW DIN933 M6x30	4
027	824.15000.00	CLAMP LOOP	2
028	43.07777.01	GROMMET 18X27X10	2
029	66.11020.00	CLEARANCE LIGHTS WIRING HARNESS	1
030	IM.20026.03	MICRO RELAY WITH DIODE	3
031	66.11135.00	SWITCH WARNING LED	1
032	70.11323.01	LIGHTS LEVER SWITCH	1
033	70.11025.00	ADHESIVE FOAM SEALER	1
034	66.11136.00	SUPPORT RESISTORS LED (9005)	1
035	615.04012.66	SCREW M4x12 DIN84	4

03. TRANSMISSION REDUCTION BOX (PART 1)

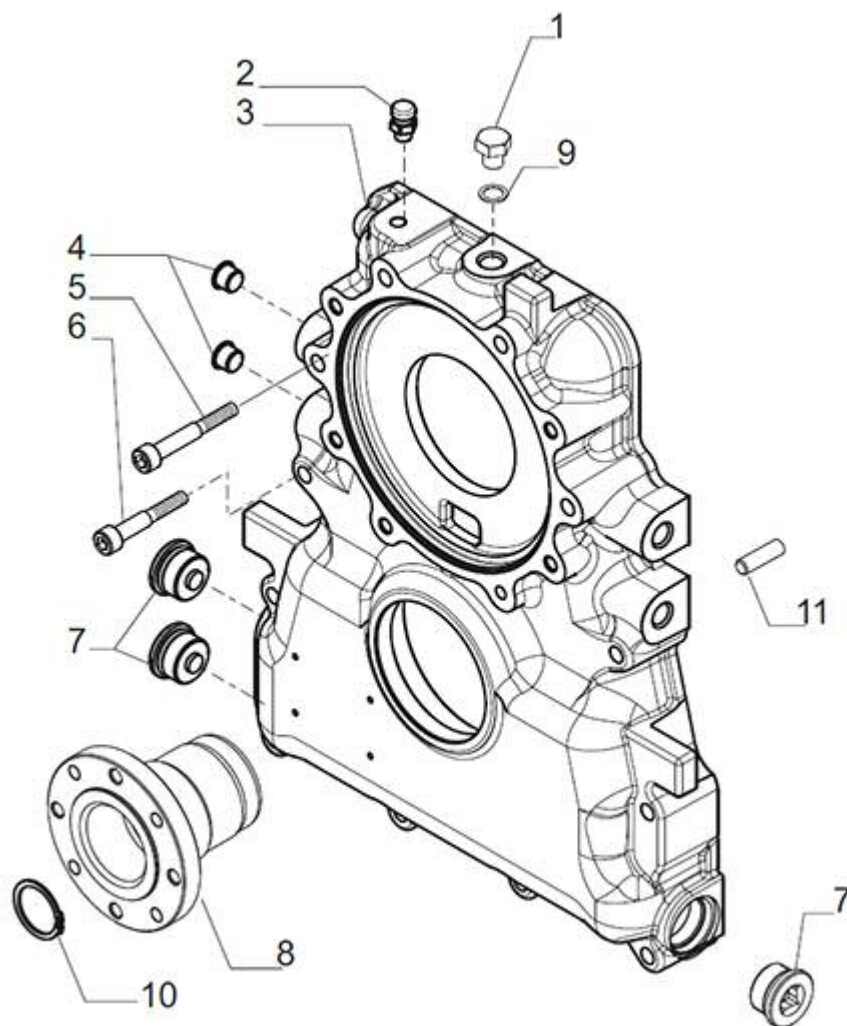


FIGURA	REFERENCIA	DENOMINACIÓN	CANTIDAD
001	CR138950	PLUG	1
002	CR104988	BREATHER M10x1	1
003	CR137182	TRANSMISSION HALF HOUSING	1
004	CR30755	PLUG D14.5	4
005	CR21416	SCREW M10X70	2
006	CR21415	SCREW M10X60	8
007	CR125280	OIL PLUG	3
008	CR149032	FLANGE	1
009	CR23265	WASHER	1
010	CR24789	SNAP RING D34	1
011	CR140236	PIN	1

03. TRANSMISSION REDUCTION BOX (PART 2)

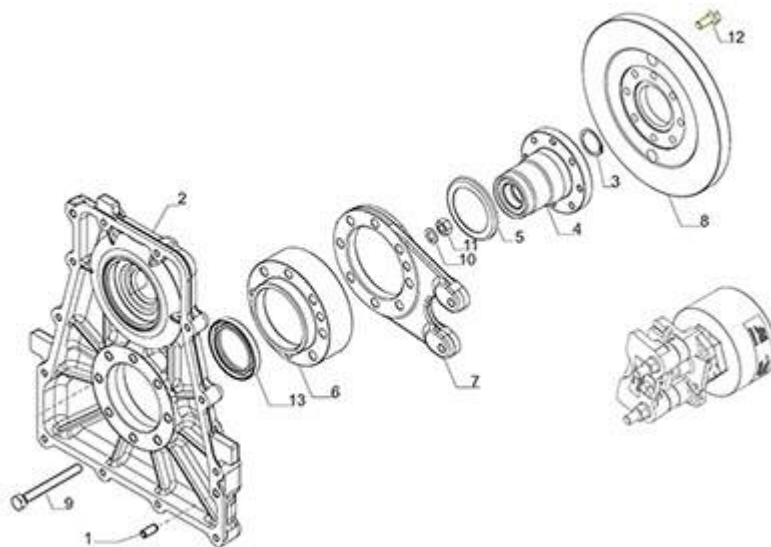


FIGURA	REFERENCIA	DENOMINACIÓN	CANTIDAD
001	CR72259	PIN	2
002	CR450961	TRANSMISSION HALF HOUSING	1
003	CR24789	SNAP RING D34	2
004	CR149032	FLANGE	1
005	CR495451	COVER	1
006	CR495361	FLANGE	1
007	CR495360	FLANGE	1
008	CR149033	BRAKE DISC	1
009	CR495449	SCREW M12X110	8
010	CR22861	WASHER	8
011	CR22122	NUT	8
012	CR20851	SCREW	1
013	CR25278	SEAL	1

03. TRANSMISSION REDUCTION BOX (PART 3)

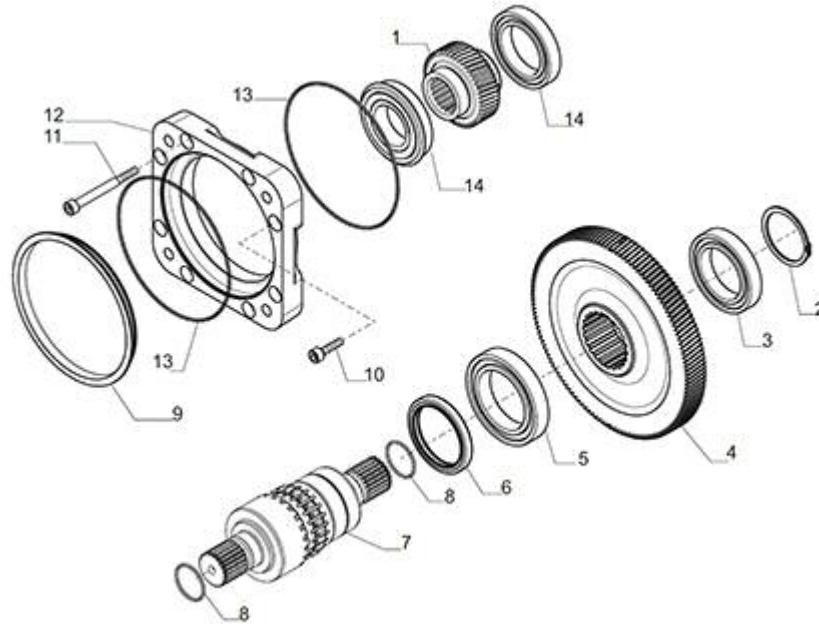
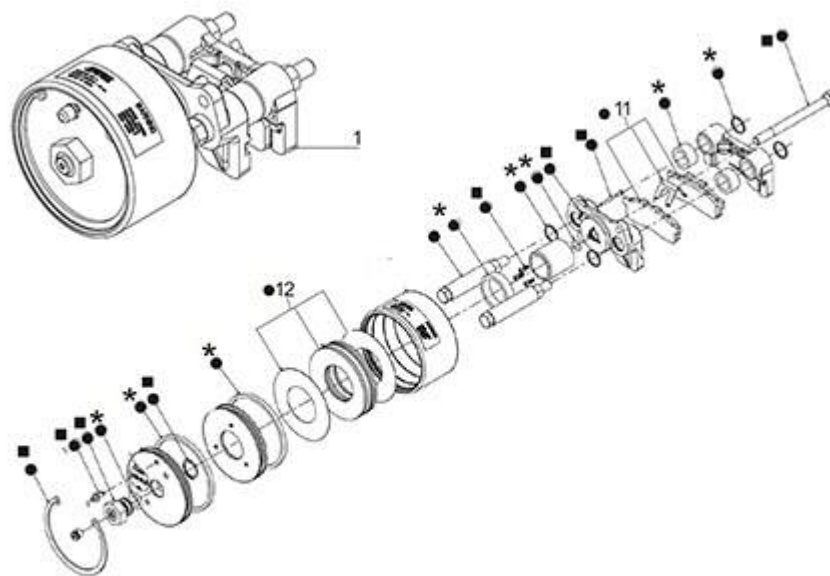


FIGURA	REFERENCIA	DENOMINACIÓN	CANTIDAD
001	CR141128	GEAR Z=56	1
002	CR24816	SNAP RING	1
003	CR25742	BEARING	1
004	CR141129	GEAR Z=80	1
005	CR25744	BEARING	1
006	CR25306	SEAL	1
007	CR387728	SHAFT	1
008	CR28532	O RING	2
009	CR641984	PLUG	1
010	CR21412	SCREW M10X35	6
011	CR21434	SCREW M10X90	2
012	CR136878	FLANGE	1
013	CR28611	O RING	2
014	CR25820	BEARING	2

03. TRANSMISSION GEARBOX



■ = 13 SCREW KIT
● = 14 REPAIR KIT
★ = 15 SEAL KIT

FIGURA	REFERENCIA	DENOMINACIÓN	CANTIDAD
001	CR471687	BRAKE CALIPER	1
011	CR210804	KIT BRAKE PADS	1
012	CR210806	SPRING-DISC KIT	1
013	CR210807	KIT SCREW	1
014	CR210803	KIT REPAIR	1
015	CR210805	SEAL KIT	1

INDEX

00. MAINTENANCE

Filters kit 2

02. ENGINE

DEUTZ ENGINE 3

EXHAUST PIPE 4

INLET 6

DELIVERY 7

DELIVERY - 89273 9

RADIATOR 11

RADIATOR - 90320 14

SUSPENSION 17

SUSPENSION - 86477 18

03. TRANSMISSION

Hydrostatic transmission 19

Hydrostatic engine 20

UNIVERSAL JOINT 21

FRONT AXLE (1) 22

FRONT AXLE (2) 23

FRONT AXLE (3) 24

FRONT AXLE (4) 26

FRONT AXLE (5) 28

REAR AXLE (1) 29

REAR AXLE (2) 30

REAR AXLE (3) 31

REAR AXLE (4) 32

REAR AXLE (5) 33

04. CHASSIS

Chassis (Part 1) 34

Chassis (Part 2) 35

Chassis axle 36

SUPPORTS 38

05. BRAKE ACTIVATION

FOOT BRAKE 39

FOOT BRAKE - 86680 41

TUBES	43
TUBES - 88912	44
05. ACTUATORS	
ACCELERATOR	45
06. STEERING	
Steering (Part 1)	46
Steering (Part 2)	47
07. WHEELS	
WHEELS	48
08. BODYWORK	
SHEETS (1)	49
SHEETS (2)	51
Protectors	53
Protectors - 86806	54
ROPS arch	55
SEAT	56
COUNTERWEIGHT	57
09. MACHINE FUNCTIONS IMPLEMENTS	
HOPPER	58
Rotating hopper support	59
08. BODYWORK	
Joystick lever	61
10. HYDRAULIC INSTALLATION	
PUMPS	62
Distributor	63
TANK	64
TANK - 90190	65
Oil tank	66
STANDARD HYDRAULIC DIAGRAM	67
11. ELECTRIC INSTALLATION	
BUZZERS	70
ELECTRICAL CONTROL SYSTEMS	71
DASHBOARD (1)	72

BATTERY	73
WIRING HARNESS (PART 1)	74
WIRING HARNESS (PART 2)	75
WIRING HARNESS (PART 3)	76
DASHBOARD WIRING	77
DASHBOARD WIRING - 87161	78
DASHBOARD WIRING - 88200	79
12. FINISHES	
STANDARD STICKER (1)	80
STANDARD STICKER (2)	81
STANDARD STICKER (2) - 86740	82
STANDARD STICKER (3)	83
Tools bag	84
13. ACCESSORIES	
AIR CONDITIONING (1)	85
ROCKINGER HOOK	86
	87
LIGHTS	88
WORK LIGHTS	89
SENSORS PROXIMITY	90
SENSORS PROXIMITY - 86462	91
FVS	92
START STOP	93
GERMANY CIRCULATION REGULATION (1)	94
GERMANY CIRCULATION REGULATION (2)	95
SECOND REAR-VIEW MIRROR	96
SWISS CIRCULATION	97
AUSTRIAN FINISHES (1)	98
AUSTRIAN FINISHES (2)	99
03. TRANSMISSION	
Reduction box (Part 1)	100
Reduction box (Part 2)	101
Reduction box (Part 3)	102
GEARBOX	103